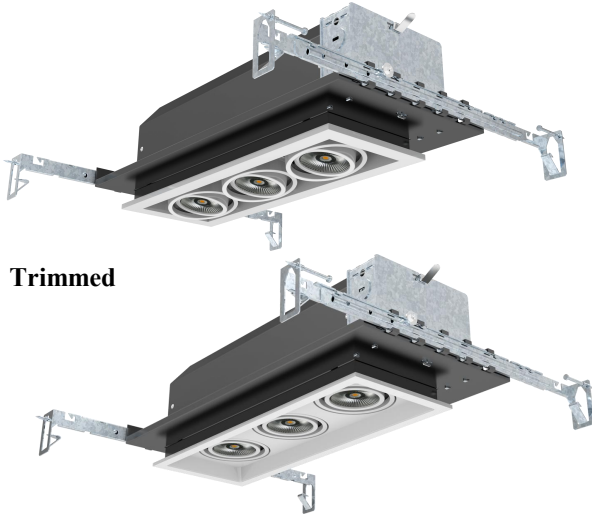
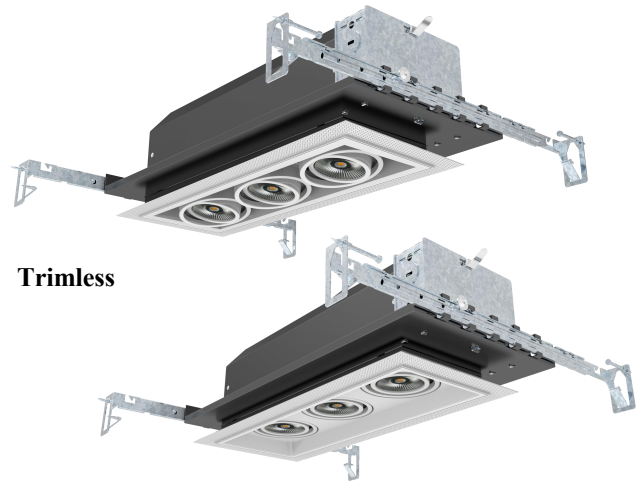


Trim or Trimless Residential Mini Multiple Downlight

Catalog #		Prepared by	LiteHarbor		
Project		Date			
Notes					



Trimmed



Trimless

ORDER MATRIX | Example: G4013-E-COB

<u>A</u>	<u>B</u>	<u>C</u>	<u>D</u>
<hr/>			
A	Series		
G4011-E-COB	1-Lamp		
G4012-E-COB	2-Lamp		
G4013-E-COB	3-Lamp		
G4014-E-COB	4-Lamp		
G4014-E-S-COB	4-Lamp		
<hr/>			
B	Input Voltage		
	120V		
##	277V		
U	120-277V		
<hr/>			
C	Available Chips		
Cree	Cree		
Citizen	Citizen		
Epistar	Epistar		
Seoul	Seoul		
Osram	Osram		

Description

Mini LED Multiple Spots for remodeling and new construction applications for residential and commercial environments.

The Multiple Spots are marketed as complete units including the housing and trim. Available as one, two and three-light configurations, each spot is individually adjustable and provides a 30-degree visual cutoff for glare control.

Features

Individually adjustable luminaries

Complete unit includes housing & trim

All housing can be made into Non-IC or IC Rated(ETL listed for IC Rated)

30° vertical tilt, 360° horizontal rotation

Construction

Die-cast aluminum heat sink painted black. Trim and housing are constructed of Gauge Steel.

Mounting

Supplied with 4 ways hanger bar, adjustable from 14½"-25" to accommodate various joist construction and grid sizes. Hanger bars include a captive mounting "screw-nail" for ease installation. Can be accommodate a 1/2" to 1 1/4" ceiling thickness.



MULTIPLE DOWNLIGHT



Liteharbor Lighting Technology Co., Ltd.
 New Industry Area Hecun Danzao Town
 Nanhai Foshan City Guangdong China

TEL: +86-757-8180 8675
 FAX: +86-757-8180 8685
 E-mail: info@liteharbor.com

Website: www.liteharbor.com
 Specifications subject to change w/o notice
 Revision: Jan. 2015

D	Color Temperature
27K	2700K
30K	3000K
35K	3500K
41K	4100K
65K	6500K

Light Source

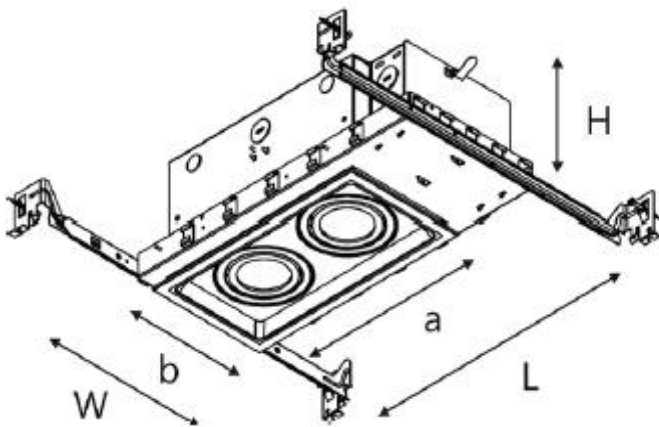
High output COB LED Chips

Dimming

Dimmable to 10% with most brand dimmers.

Input Voltage	AC 90-305V 50/60Hz
Rated Power	10/Lamp
Luminous Efficiency	70 LM/W
Lamp	COB
Color Temperature	2700-6500K
Material	Gauge Steel
Power Factor	> 0.98
CRI	Ra80 / Ra90

Size



1x2 SPOTS

L: 13 3/16"xW: 6 1/4"xH: 5 1/8"
Cut-Out(axb): 8 3/4" x 4 3/8"

1x1 SPOTS

L: 9 1/8"xW: 6 1/4"xH: 5 1/8"
Cut-Out(axb): 4 3/4" x 4 3/4"

1x3 SPOTS

L: 17 5/16"xW: 6 1/4"xH: 5 1/8"
Cut-Out(axb): 13 1/4" x 4 3/8"

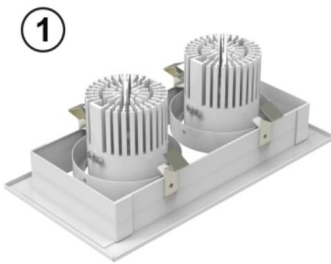
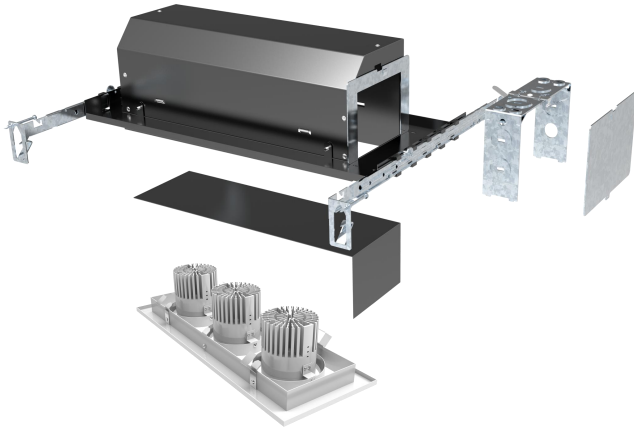
1x4 SPOTS

L: 21 7/16"xW: 6 1/4"xH: 5 1/8"
Cut-Out(axb): 17 7/16" x 4 3/8"

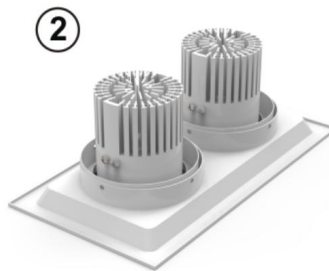
2x2 SPOTS

L: 10 15/16"xW: 10 15/16"xH: 5 1/8"
Cut-Out(axb): 8 3/4" x 8 3/4"





Hollow



Closed

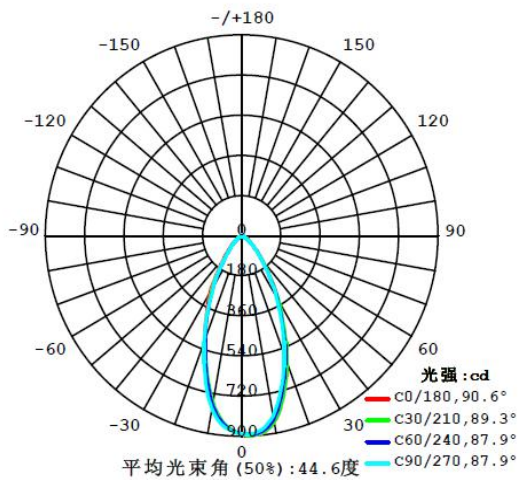
Option 1

Universal hollow open flanged design
Strong welding make a stable structure

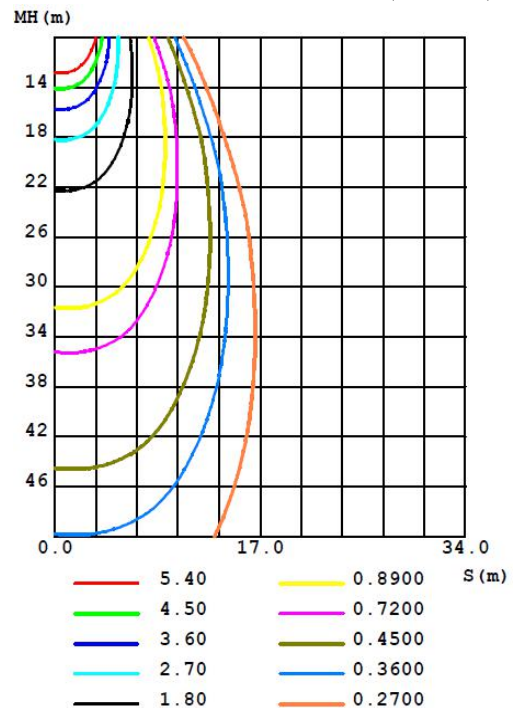
Option 2

Special closed flanged design without seeing the body inside
One forming without welding spot make a better effect overall

LUMINOUS INTENSITY DISTRIBUTION DIAGRAM



C0 PLANE ISOLUX DIAGRAM (UNIT:lx)



Liteharbor Lighting Technology Co., Ltd.

New Industry Area Hecun Danzao Town
Nanhai Foshan City Guangdong China

TEL: +86-757-8180 8675

FAX: +86-757-8180 8685

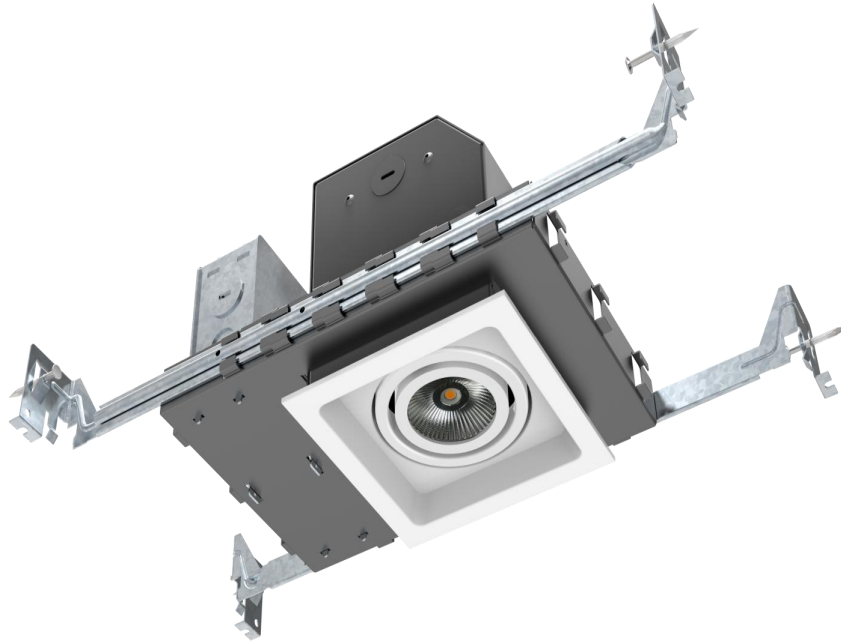
E-mail: info@liteharbor.com

Website: www.liteharbor.com

Specifications subject to change w/o notice

Revision: Jan. 2015

1 Lamp



2 Lamp



MULTIPLE DOWNLIGHT



Liteharbor Lighting Technology Co., Ltd.

New Industry Area Hecun Danzao Town
Nanhai Foshan City Guangdong China

TEL: +86-757-8180 8675

FAX: +86-757-8180 8685

E-mail: info@liteharbor.com

Website: www.liteharbor.com

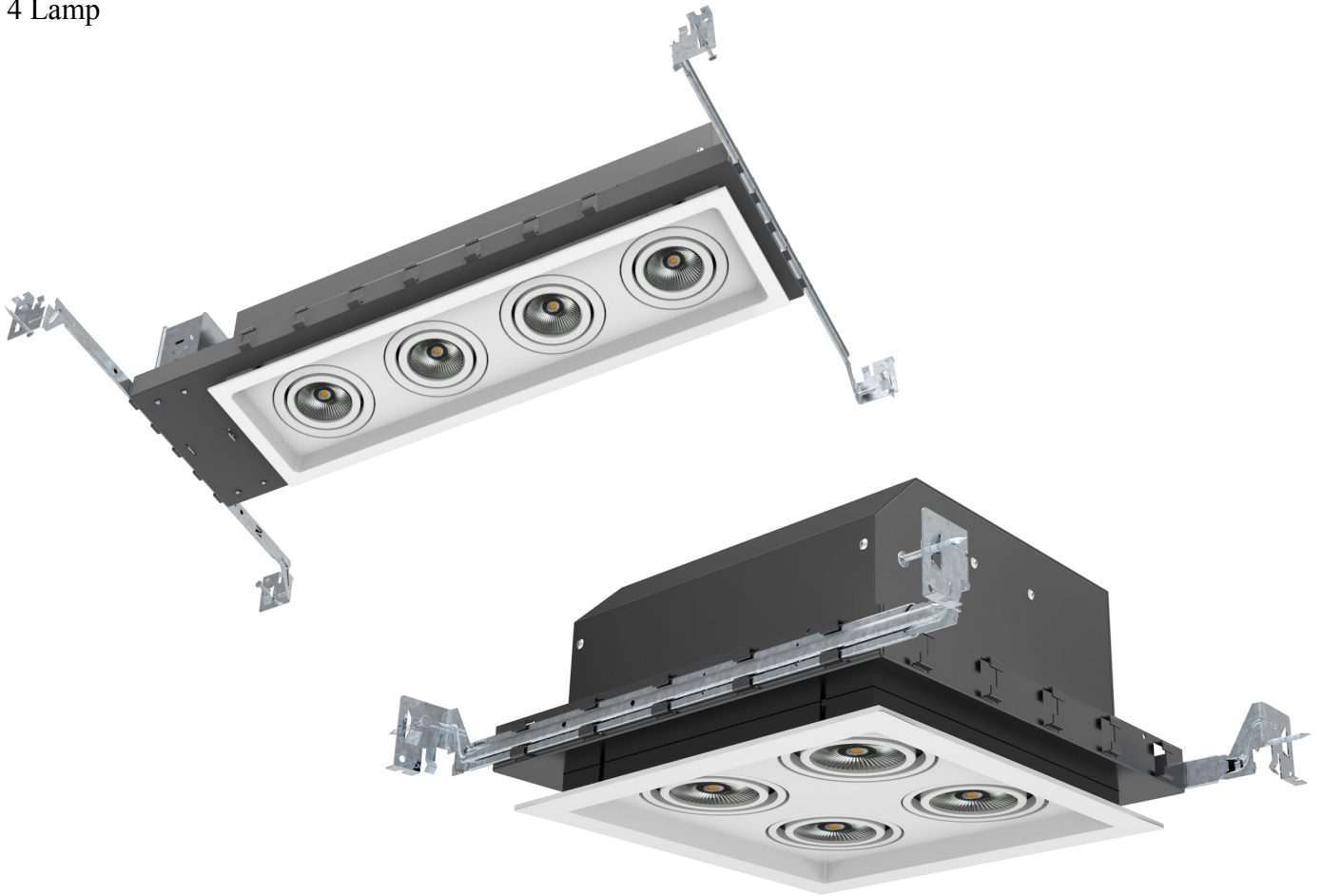
Specifications subject to change w/o notice

Revision: Jan. 2015

3 Lamp



4 Lamp



MULTIPLE DOWNLIGHT



Liteharbor Lighting Technology Co., Ltd.

New Industry Area Hecun Danzao Town
Nanhai Foshan City Guangdong China

TEL: +86-757-8180 8675

FAX: +86-757-8180 8685

E-mail: info@liteharbor.com

Website: www.liteharbor.com

Specifications subject to change w/o notice

Revision: Jan. 2015