

4" Round Or Square New Construction LED Retrofit Trim

Catalog #		Prepared by	LiteHarbor
Project		Date	
Notes			



ORDER MATRIX | Example:BL4-921-NC

<u>A</u>	<u>B</u>	<u>C</u>	<u>D</u>	<u>E</u>	<u>F</u>	<u>G</u>
		A	Series			
BL4-921-NC		4"	Round New Construction Retrofit Trim			
BL4-921-S-NC		4"	Square New Construction Retrofit Trim			
		B	Mounting			
			Remodel			
		NC	New Construction			
		C	Trim			
			Trimmed			
		TL	Trimless			
		D	Finish			
		WH	White			
		BK	Black			
		SN	Satin Nickel			
		E	Mounting Clips			
			Optional①			
			Optional②			
			Optional③			
			Optional④			

(Reference to the following page)

Description

Use cold forging radiator with good heat dissipation.
 Peculiar vortex type outlet, to ensure that the light is soft, avoid glare, unique irregular shape make an impression.
 Independent power supply box, easy to maintain and replace.
 Brand chip and isolated power supply, safe and reliable.
 Dimming available, can be matched a variety of light regulator dimming stability, no strobe.
 Square outer ring is optional.

Mounting & Clips

New construction is optional.
 Can be adapted to the 0.5 "to 1.5" ceiling.
 Easy installation, tool-free and save time.
 Various installation clip for choose.
 Two Clips Type: Install with no housing required.
 Three Clips Type: Install with housing required.

Light Engine

Input Power: 15W Max.
 Input Voltage: 110V/277V AC 50/60 Hz
 PF: >0.98
 CRI:80+/90+
 CCT: 2700-6000K
 None Dimmable or TRIAC Dimmable
 Lumen Efficiency: 100lm/W



LED RETROFIT TRIM



Liteharbor Lighting Technology Co., Ltd.
 New Industry Area Hecun Danzao Town
 Nanhai Foshan City Guangdong China

TEL: +86-757-8180 8675
 FAX: +86-757-8180 8685
 E-mail: info@liteharbor.com

Website: www.liteharbor.com
 Specifications subject to change w/o notice
 Revision: Mar. 2017

F	Color Temperature
27K	2700K
30K	3000K
40K	4000K
50K	5000K
60K	6000K
G	Dimmable
	Non-Dimmable
DM	Dimmable

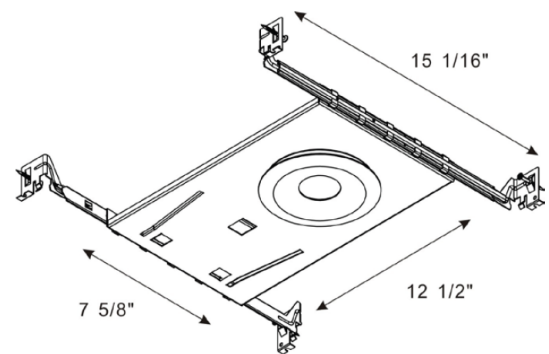
Listing & Warranty

ETL listed to US and Canadian standards for wet locations
5-Year Limited Warranty

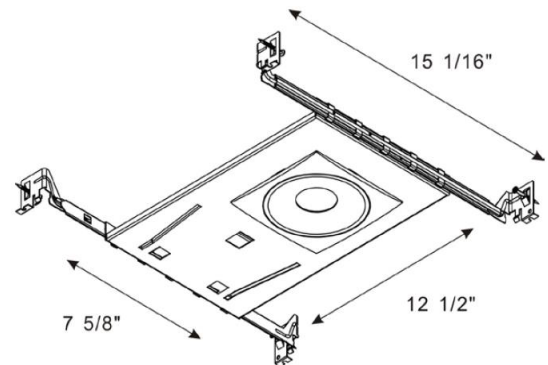
Packing

CTN Size: L:565×W:425×H:265mm
Inner Box Size: L:135×W:135×H:120mm
24PCS/CTN

Dimensions



BL4-920-NC



BL4-920-S-NC



LED RETROFIT TRIM



Liteharbor Lighting Technology Co., Ltd.

New Industry Area Hecun Danzao Town
Nanhai Foshan City Guangdong China

TEL: +86-757-8180 8675

FAX: +86-757-8180 8685

E-mail: info@liteharbor.com

Website: www.liteharbor.com

Specifications subject to change w/o notice

Revision: Mar. 2017

Mounting Clips Optional

①②③④

Square Shape



Option①
Two Clips
No housing required



Option②
Three Clips
Housing is required



Option③
Three Clips
Housing is required



Optional④
Two Clips
Housing is required



LED RETROFIT TRIM



Liteharbor Lighting Technology Co., Ltd.

New Industry Area Hecun Danzao Town
Nanhai Foshan City Guangdong China

TEL: +86-757-8180 8675

FAX: +86-757-8180 8685

E-mail: info@liteharbor.com

Website: www.liteharbor.com

Specifications subject to change w/o notice

Revision: Mar. 2017

Round Shape



Option①
Two Clips
No housing required



Option②
Three Clips
Housing is required



Option③
Three Clips
Housing is required



Option④
Two Clips
Housing is required

