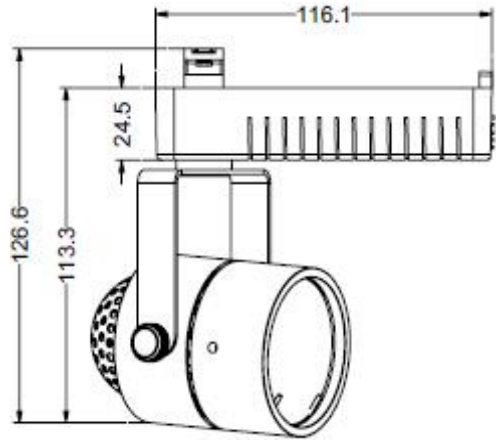


K1063

Low Volt. Cylinder Track Head

Catalog #		Prepared by	LiteHarbor
Project		Date	
Notes			



Low Voltage Cylinder Track Head

Description

Low voltage die-cast aluminum designer gimbal fixtures with MR16 light source.

Yoke provides full adjustment position of light source for special aiming and dual tightening knobs assure secure lock on angle position.

Features

- 1) Die-cast aluminum provides superior strength and rigidity.
- 2) Low profile, aesthetic design.
- 3) Adjustable yoke for custom aiming.
- 4) One or two circuit track capable.

Housing

Iron / die-cast aluminum construction;

Gimbal appearance and design features

All edges are softened for aesthetic appearance.

Yoke

Iron yoke connects fixture housing to electrical contact head.

Dual plastic angle tightening knobs maintain clean, decorative appearance of the fixture and provides secure angle position.

A B C D E F

Item No.:K1063

A	Series
K1063	Track Light

B	Wire
02W	2-wire
03W	3-wire
04W	4-wire

C	Finish
BK	Black
WH	White
SN	Satin Nickel



TRACK LIGHTING



Liteharbor Lighting Technology Co., Ltd.

New Industry Area Hecun Danzao Town
Nanhai Foshan City Guangdong China

TEL: +86-757-8180 8675

FAX: +86-757-8180 8685

E-mail: info@liteharbor.com

Website: www.liteharbor.com

Specifications subject to change w/o notice

Revision: Jan. 2015

Transformer

Solid state electronic transformer provides noise-free voltage reduction and operation.

If dimming, use electronic low voltage rated only dimming controls.

Integral Unit: 120V/60Hz Input; 12V Output; 50VA Max. load

Finishes

Black, White and Satin Nickel heat rated baked enamel paint.

Custom painting or anodizing for special applications is also available.

Custom finishes will require lead times that vary depending on vendor schedule. Please consult factory for quotation.

Wiring

Teflon coated wire lead connects socket and housing to electrical contact head.

Teflon coating is durable and resists heat degradation from lamp and housing radiation.

Lamp

LED MR16 GU5.3 8W Max.

Listing

c-ETL-us Listed

D	Mounting
TM	Track Rail Mounting
CM	Canopy Mounting
PM	Pendant Mounting

E	Wattage
L8	LED 8W
L6	LED 6W

F	Color Temperature
28K	2800K
35K	3500K
50K	5000K



OPTIONAL ACCESSORIES



K500
Global Adaptor
Finish: WH/BK



K600
Single/Two Circuit Live End
Finish: WH/BK



K601
Single /Two Circuit End Feed
Finish: WH/BK



K602
Single/Two Circuit Flexible Connector
Finish: WH/BK



K604
T-bar Attachment Clips For T-bar Drop Ceiling
Finish: WH/BK/SN



K605
Single/Two Circuit Floating Canopy
Finish: WH/BK



K606
Single/Two Circuit Live End With Box Cover
Finish: WH/BK



K607
Track End Cap
Finish: WH/BK



K608
Mini Coupling
Finish: WH/BK



K609
Single/Two Circuit T-Connector
Finish: WH/BK



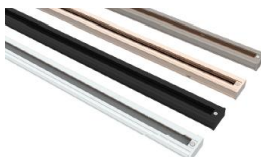
K610
Single Circuit 90° Connector
Finish: WH/BK



K611
Single/Two Circuit X-Connector
Finish: WH/BK



K612
Live End With Cord&Plug
Finish: WH/BK
Available in 2 wire,3 wire,4 wire



K5-3
Single Circuit/Two Circuit Track
Single circuit track is rated for 2400W
features 12-gauge copper conductors and

a separate ground conductor.
Two circuit track includes 12-gauge copper
conductors and features a double load
capacity at 4800W max.
Single/Two Circuit Track is available in
white,black,and satin nickel finishes,and
in 4,6,and 8-foot sizes,and can also be
field cut to your preference.

