

<b>Catalog #</b>		<b>Prepared by</b>	LiteHarbor
<b>Project</b>		<b>Date</b>	
<b>Notes</b>			



G4011-A



G4012-A



G4013-A



G4014-A



G4014-A-S

### ORDER MATRIX | Example: G4011-A

<u>A</u>	<u>B</u>	<u>C</u>	<u>D</u>	<u>E</u>	<u>F</u>
A	Series				
G4011-A	1-Lamp				
G4012-A	2-Lamp				
G4013-A	3-Lamp				
G4014-A	4-Lamp				
G4014-A-S	4-Lamp				
B	Input Voltage				
	120V				
277	277V				
U	120-277V				
C	Lamp				
LED	COB LED				
T4	T4				
T4.5	T4.5				
T6	T6				
CDM-Tm	CDM-Tm PGJ5				
MR16	MR16				
P20	PAR20				
P30	PAR30				
AR	AR111				

#### Description

Easy Installation and maintenance

All parts and components accessible from below the ceiling  
Lamp holders are adjustable 360° horizontal and 30° vertical for spot lighting in multiple directions

Actual adjustment may vary depending on the lamp beam spread

#### Housing

The inner trim is constructed of 22GA steel

Finish can be black, white or silver

Special finish please confirm with factory

Internal wire bundles are locked and covered with a glass sleeve

Junction box can be accessible from below the ceiling with a plate

#### Mounting Frame

Can accommodate a 1/2" to 1 1/4" ceiling thickness

Channel bracket allow up to 5" vertical adjustable

Universal mounting brackets included

Compatible with C-channel, flat bar, and EMT

C-channel are recommended for T-bar ceilings

Bar hangers must be ordered separately



**Liteharbor Lighting Technology Co., Ltd.**

New Industry Area Hecun Danzao Town

Nanhai Foshan City Guangdong China

TEL: +86-757-8180 8675

FAX: +86-757-8180 8685

E-mail: info@liteharbor.com

Website: www.liteharbor.com

Specifications subject to change w/o notice

Revision: Jan. 2015

D	Light Source & Wattage
L15	LED 15W each lamp
L17.8	LED 17.8W each lamp
M20	Metal Halide 20W each lamp
M39	Metal Halide 39W each lamp
M70	Metal Halide 70W each lamp

E	Color Temperature
27K	2700K
30K	3000K
35K	3500K
41K	4100K

### Flanged Trim

Extruded trim frame includes torsion springs for convenient installations or removal from the housing

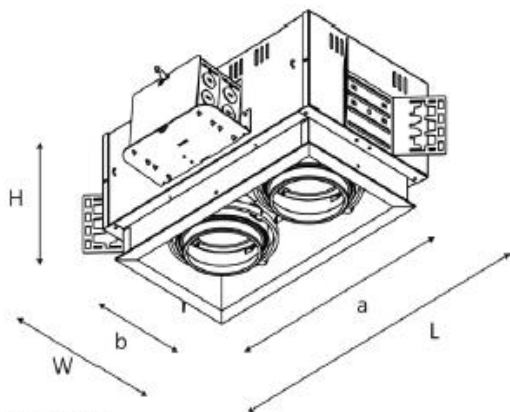
### Trimless

Optional mud frame available for trimless mounting  
The perforated mesh frame provided adheres to joint compound for seamless and trimless mounting

### Technology Data

Light Source & Socket	Input Volt.	Wattage	CCT	Life Span
LED COB	120V 277V 120-277V	20W Max	2700-4100K	50000h
LED MR16/ GU5.3	12V	8W Max		
LED PAR20/ E26	120V 277V 120-277V	10W Max		
LED PAR30/ E26		18W Max		
LED AR111/ G53		33W Max		
Metal Halide T4/ GU6.5		39W Max		
Metal Halide T4.5/ G8.5	70W Max	30000h		
Metal Halide T6/ G12	100W Max			
Metal Halide CDM-Tm/ PGJ5	39W Max			
Metal Halide MR16MH/ GX10	12V			39W Max

### Size



#### 1x2 SPOTS

L: 19 1/2"xW: 12 3/16"xH: 7 9/16"  
Cut-Out(axb): 13 9/16" x 7 9/16"

#### 1x1 SPOTS

L: 13 1/8"xW: 12 3/16"xH: 7 9/16"  
Cut-Out(axb): 7 9/16" x 7 9/16"

#### 1x3 SPOTS

L: 26 3/16"xW: 12 3/16"xH: 7 9/16"  
Cut-Out(axb): 20 1/2" x 7 9/16"

#### 1x4 SPOTS

L: 31 7/16"xW: 12 3/16"xH: 7 9/16"  
Cut-Out(axb): 26 13/16" x 7 9/16"

#### 2x2 SPOTS

L: 21"xW: 20 3/16"xH: 7 5/8"  
Cut-Out(axb): 14 7/16" x 14 7/16"



**Liteharbor Lighting Technology Co., Ltd.**

New Industry Area Hecun Danzao Town  
Nanhai Foshan City Guangdong China

TEL: +86-757-8180 8675

FAX: +86-757-8180 8685

E-mail: info@liteharbor.com

Website: www.liteharbor.com

Specifications subject to change w/o notice

Revision: Jan. 2015