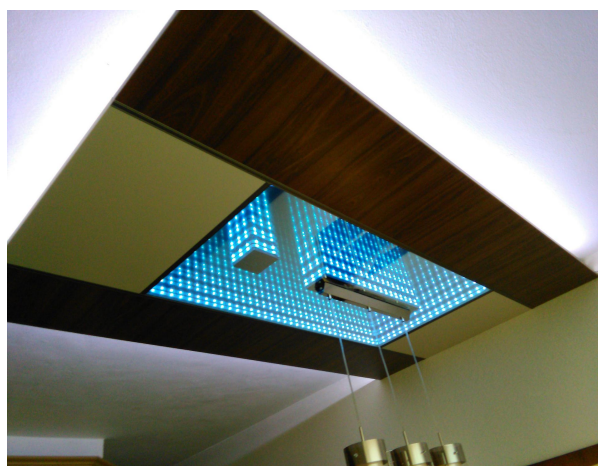


INFINITY ILLUMINATED MIRROR

Catalog #		Prepared by	LiteHarbor
Project		Date	
Notes			

FEATURES

- Infinity mirrors are two panes of glass with a separating layer of lighting between them , sealed and secured to be used for decorative purposes at homes, private majlis, clubs, restaurants and hotels.
- We use the best quality LED lighting for the lighting source.
- Infinity mirror creates an optical illusion using a series of smaller reflections that appear to end in infinity.
- Exhibitions, art museums, salons, malls, elevators etc. are the examples for spaces where we see such mirrors.
- Enjoy deeper view than reality in the ceiling, floor and walls in your place.
- The 3d infinity mirror comes with a very unique design that fits your special taste.



MR-028-I-PD



MIRROR LIGHT

DETAILS	
Item No.	MR-028-I-PD
Shape	Rectangle
Color	RGBW
Voltage	120V-277V AC
Wattage	20W
IP Rating	IP65
PF	>0.98
Light Source	LED SMD Chips
Decorative	Customized
Switch	Touch Switch/Inductive Switch/Knob
Listing	ETL listed
Warranty	3 Year Limited Warranty



Liteharbor Lighting Technology Co., Ltd.

New Industry Area Hecun Danzao Town
Nanhai Foshan City Guangdong China

TEL: +86-757-8180 8675

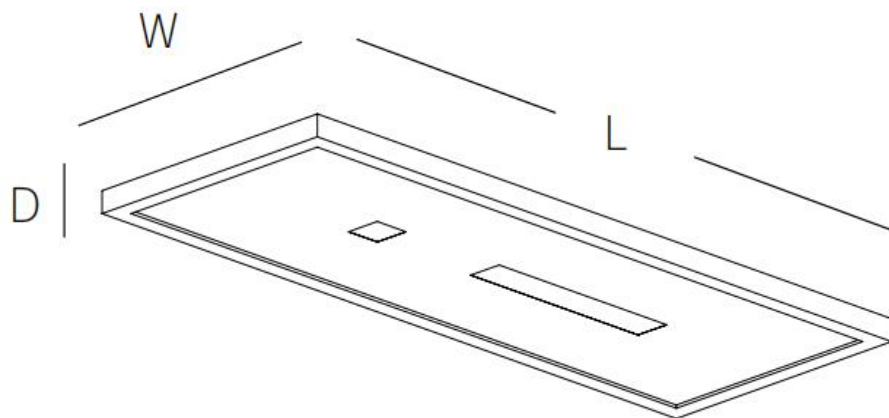
FAX: +86-757-8180 8685

E-mail: info@liteharbor.com

Website: www.liteharbor.com

Specifications subject to change w/o notice

Revision: Aug., 2020



DIMENSIONS

W x L x D

600x600x30 mm

600x1200x30 mm

*Other sizes can be customized



MIRROR LIGHT



Liteharbor Lighting Technology Co., Ltd.

New Industry Area Hecun Danzao Town

Nanhai Foshan City Guangdong China

TEL: +86-757-8180 8675

FAX: +86-757-8180 8685

E-mail: info@liteharbor.com

Website: www.liteharbor.com

Specifications subject to change w/o notice

Revision: Aug. 2020