

BEL3-A-02
LED EYEBALL DOWNLIGHT

| | | | |
|------------------|--|--------------------|------------|
| Catalog # | | Prepared by | LiteHarbor |
| Project | | Date | |
| Notes | | | |



White



Black



LED DOWNLIGHT

3 Inch Round Shape LED Eyeball Downlight

Description

This is a 3" rotatable LED eyeball downlight allow for you to set the ambiance in your space, a full range of repositioning to highlight your decoration, giving you everything needed to install this beautiful, ultra thin recessed lighting solution.

Features

- Swivel eyeball trim allows the flexibility focus light on a specific area and create the ambiance you desire.
- Protected LED driver performs at 120V.
- This fixture is built to last with maintenance-free energy efficient LEDs.
- Beam Angle: 30/60 Degree.
- IP Rating: IP44.

Applications

Apply to automotive and parking, education, government, healthcare, hospitality, offices and banks, religious, retail.



Liteharbor Lighting Technology Co., Ltd.
 New Industry Area Hecun Danzao Town
 Nanhai Foshan City Guangdong China

TEL: +86-757-8180 8687
 FAX: +86-757-8180 8685
 E-mail: info@liteharbor.com

Website: www.liteharbor.com
 Specifications subject to change w/o notice
 Revision: May. 2019

Specification

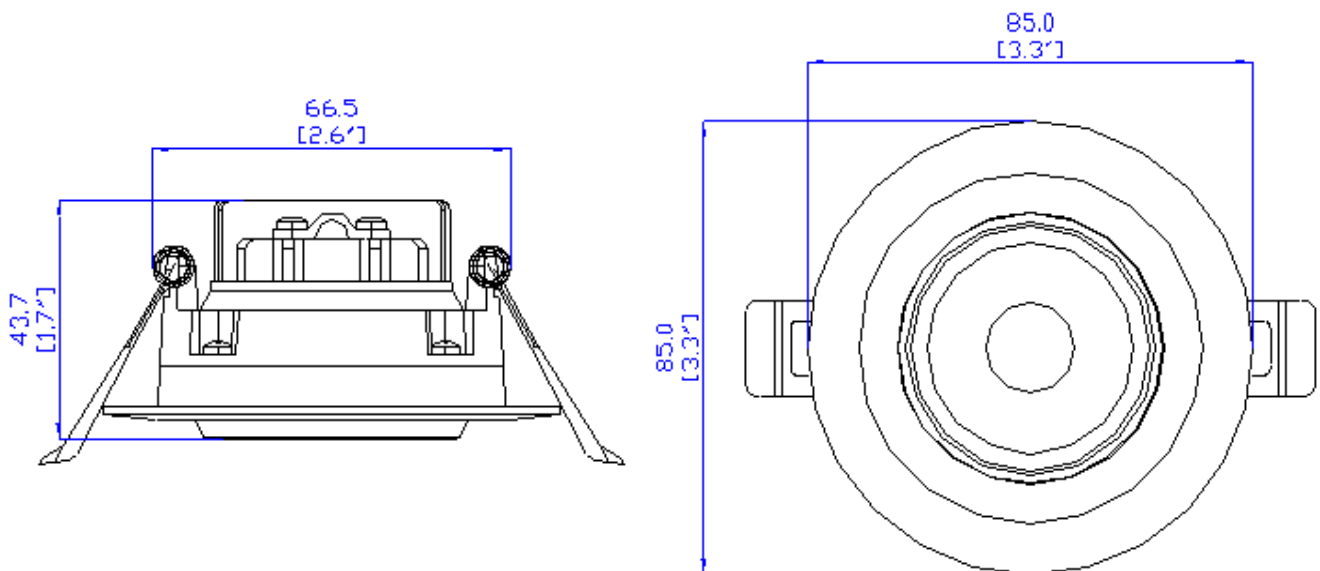
| | |
|--------------|------------------|
| Watt | 10W |
| Voltage | AC 120V |
| Driver | Liteharbor |
| PF | >0.9 |
| Dimming | Dimmable |
| Lumen | 800lm |
| Light Source | COB |
| CRI | 90+ |
| Beam Angle | 30D/60D |
| CCT | 2700K-5000K |
| Material | Aluminum |
| Finish | White/Black |
| Dimension | 85mm*85mm*43.7mm |

Listing / Warranty

ETL listed to US and Canadian standards for damp location W/Feed through.

3 Year Limited Warranty.

Dimensions



Liteharbor Lighting Technology Co., Ltd.

New Industry Area Hecun Danzao Town
Nanhai Foshan City Guangdong China

TEL: +86-757-8180 8687

FAX: +86-757-8180 8685

E-mail: info@liteharbor.com

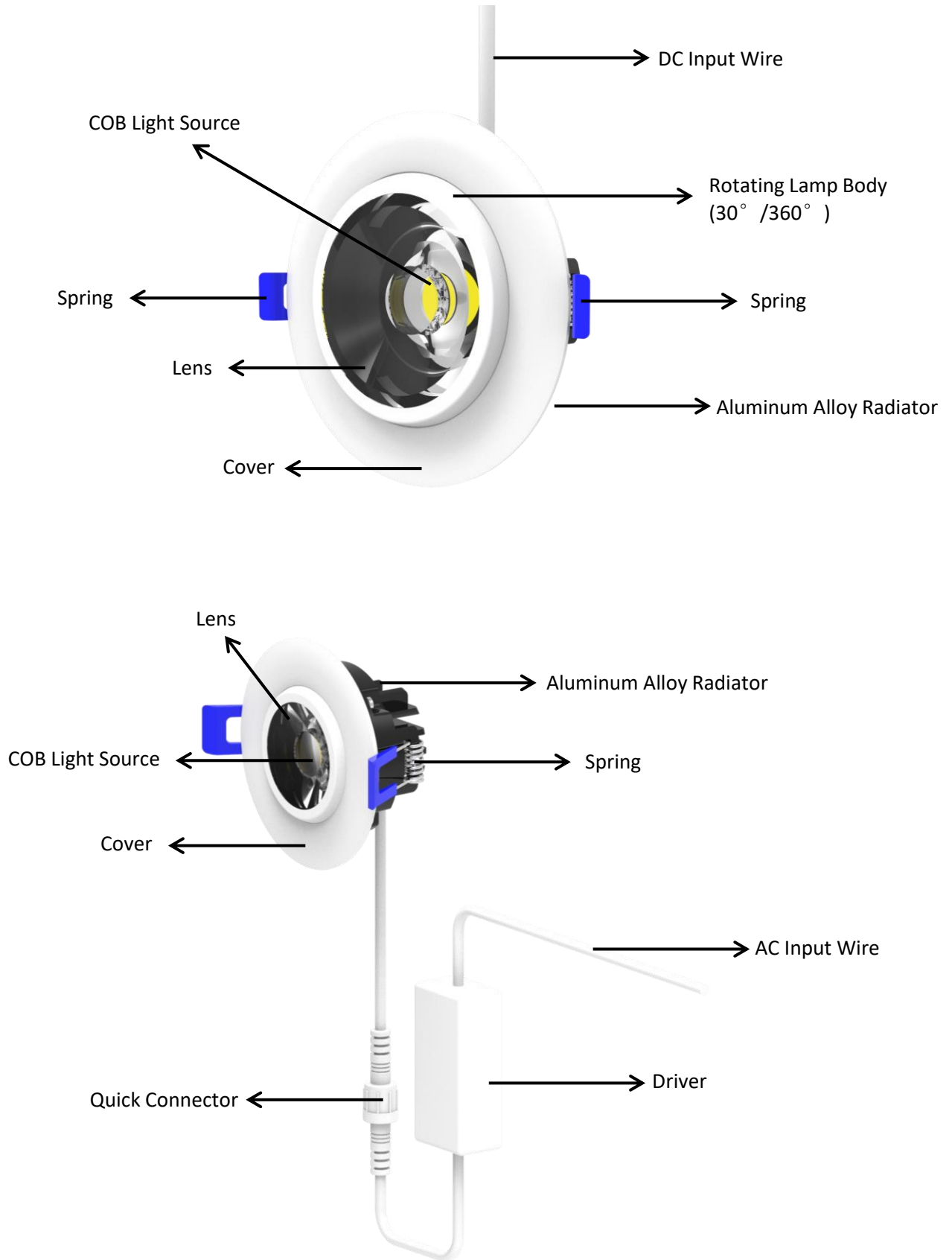
Website: www.liteharbor.com

Specifications subject to change w/o notice

Revision: May. 2019



Structural Introduction



LED DOWNLIGHT



Liteharbor Lighting Technology Co., Ltd.
 New Industry Area Hecun Danzao Town
 Nanhai Foshan City Guangdong China

TEL: +86-757-8180 8687
 FAX: +86-757-8180 8685
 E-mail: info@liteharbor.com

Website: www.liteharbor.com
 Specifications subject to change w/o notice
 Revision: May. 2019

Ordering Guide

| Series | Input Voltage | Watt | CCT | Finish |
|---|-------------------------------|------------------------------|--|--|
| <input type="checkbox"/> BEL3-A-02 LED Eyeball Downlight | <input type="checkbox"/> 120V | <input type="checkbox"/> 10W | <input type="checkbox"/> 2700K <input type="checkbox"/> 3000K <input type="checkbox"/> 4000K <input type="checkbox"/> 5000K | <input type="checkbox"/> Black <input type="checkbox"/> White |



LED DOWNLIGHT



Liteharbor Lighting Technology Co., Ltd.

New Industry Area Hecun Danzao Town
Nanhai Foshan City Guangdong China

TEL: +86-757-8180 8687

FAX: +86-757-8180 8685

E-mail: info@liteharbor.com

Website: www.liteharbor.com

Specifications subject to change w/o notice

Revision: May. 2019