



## INFINITY MIRROR CEILING

|                          |  |
|--------------------------|--|
| <b>Item Name:</b>        |  |
| <b>Fixture Location:</b> |  |
| <b>SKU#:</b>             |  |

### FEATURES

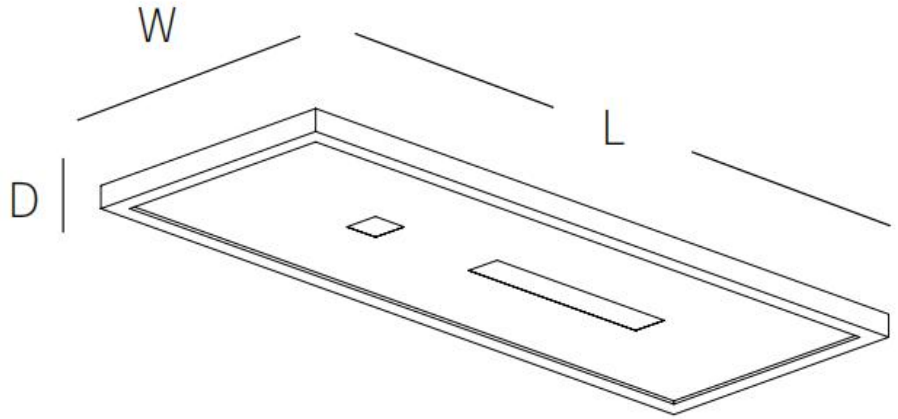
- Infinity mirrors are two panes of glass with a separating layer of lighting between them, sealed and secured to be used for decorative purposes at homes, private majlis, clubs, restaurants and hotels.
- We use the best quality LED lighting for the lighting source.
- Infinity mirror creates an optical illusion using a series of smaller reflections that appear to end in infinity.
- Exhibitions, art museums, salons, malls, elevators etc. are the examples for spaces where we see such mirrors.
- Enjoy deeper view than reality in the ceiling, floor and walls in your place.
- The 3d infinity mirror comes with a very unique design that fits your special taste.



**MR-028-I-PD**

### DETAILS

| DETAILS      |   |
|--------------|---|
| Item No.     | MR-028-I-PD   |
| Shape        | Rectangle   |
| Color        | RGBW  |
| Voltage      | 120V-277V AC  |
| Wattage      | 20W   |
| IP Rating    | IP65  |
| PF           | >0.98   |
| Light Source | LED SMD Chips   |
| Decorative   | Customized  |
| Switch       | Touch Switch/Inductive Switch/Knob Switch/Toggle Switch |
| Listing      | ETL listed  |
| Warranty     | 3 Year Limited Warranty                                 |



## DIMENSIONS

W x L x D

600x600x30 mm

600x1200x30 mm

\*Other sizes can be customized

