

**XL-002-S-1  
LED DOWNLIGHT**

<b>Catalog #</b>		<b>Prepared by</b>	LiteHarbor
<b>Project</b>		<b>Date</b>	
<b>Notes</b>			



**Pressable Trimmed Miniature LED Recessed Downlight**

**Description**

This Product is the lighting embodiment of miniature, recessed LED solutions for residential and hospitality venues and boutique. Available in a lot of shapes, frames, colours and accessories, as a straight or a symmetrical spot, or as general lighting, and it's combines choice with exclusive design and high-quality lighting technology.

**Features**

- The choice combines exclusive design with high quality lighting technology.
- A lot of shapes, frames and colours, providing more options for you.
- Available in 1,2, 3, 4 lamps.
- Beam Angle: 30/60/90 Degrees.
- Life Rated for 50,000 hours at 70% lumen maintenance.
- Easy installation.

**Listing / Warranty**

ETL listed to US and Canadian standards for damp location W/Feed through.  
5 Year Limited Warranty.

LED DOWNLIGHT



**Liteharbor Lighting Technology Co., Ltd.**  
New Industry Area Hecun Danzao Town  
Nanhai Foshan City Guangdong China

TEL: +86-757-8180 8687  
FAX: +86-757-8180 8685  
E-mail: info@liteharbor.com

Website: www.liteharbor.com  
Specifications subject to change w/o notice  
Revision: Jul. 2019

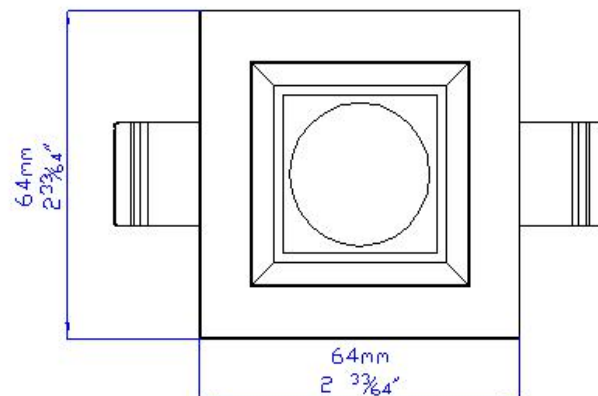
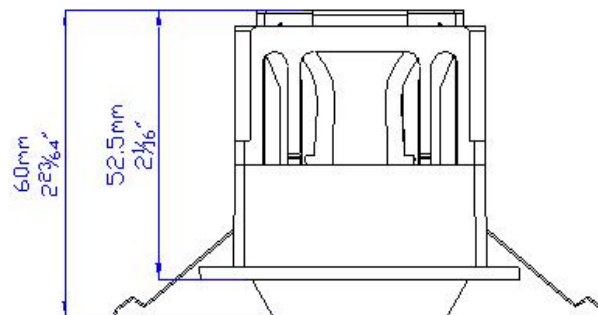
## Applications

Suitable for jewelry stores, boutiques, luxury goods stores, shopping malls and other places that require concentrated lighting and accent lighting.

## Parameter

Voltage	AC 120V
Frequency	60 Hz
Watt	6W Max.
Driver	Liteharbor
Dimmable	Non-dimming
Lumen	480-600lm
Light Source	COB
CRI	90+
Beam Angle	30D/60D/90D
CCT	2700K-5000K
Material	Aluminum
Finish	White/Black/Brown

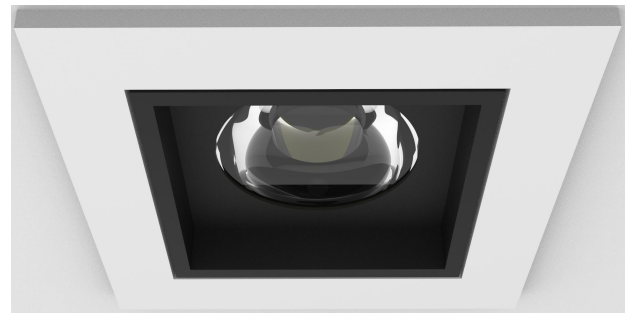
## Dimensions



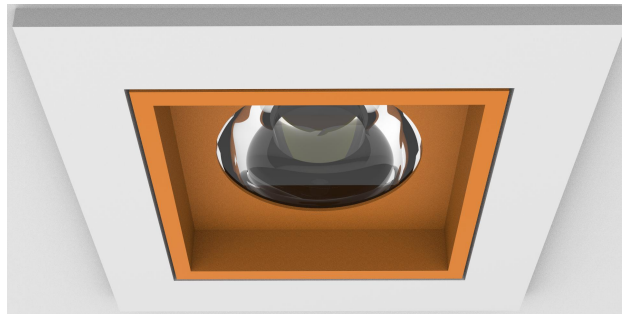
## Cover Color Option



White



Black



Brown

\*Customized is available

## Ordering Guide

Series/Lumen	Input Voltage	CCT/CRI	Finish
<input type="checkbox"/> XL-002-S-1 LED Downlight	<input type="checkbox"/> 120V	<input type="checkbox"/> 3000K/90+ <input type="checkbox"/> 4000K/90+ <input type="checkbox"/> 5000K/90+	<input type="checkbox"/> White <input type="checkbox"/> Black <input type="checkbox"/> Brown

\*Other special requirements please confirm with our factory



**Liteharbor Lighting Technology Co., Ltd.**  
New Industry Area Hecun Danzao Town  
Nanhai Foshan City Guangdong China

TEL: +86-757-8180 8687  
FAX: +86-757-8180 8685  
E-mail: [info@liteharbor.com](mailto:info@liteharbor.com)

Website: [www.liteharbor.com](http://www.liteharbor.com)  
Specifications subject to change w/o notice  
Revision: Jul. 2019

