

DL4022-S LED DOWNLIGHT

Catalog #		Prepared by	LiteHarbor
Project		Date	
Notes			



Surface Mounted Square Shape LED Downlight with 2x2 Lamps

Features

- This is a square surface-mounted spotlight that incorporates modern aesthetics. It has a beautifully curved shape, scientific light distribution, good light output, uniform light output, high efficiency and energy saving.
- The light source can be adjusted 25° vertically and 360° horizontally to direct the beam in any direction to meet your diverse lighting needs.
- The beam angle can be 12°, 24°, and suitable lamps can be selected according to actual needs to provide professional lighting.
- Patented convenient installation structure for quick and easy installation.
- Dimming: Non-Dimming/TRIAC Dimming.
- Adaptable 3" and 4" embedded box mounting.

Specifications

Lamp Body: Made of die-cast aluminum, the material is light and has good heat dissipation.

Power Supply: Constant current power supply, long life, low electromagnetic interference, low energy consumption, high performance, short circuit and overcurrent protection.

Light Source: Using big brand COB lamp beads, color rendering index 80+, 90+ are optional, a variety of color temperature options (3000K, 4000K, 5000K, 6500K).

Mounting plate: Patent structure.



Liteharbor Lighting Technology Co., Ltd.

New Industry Area Hecun Danzao Town
Nanhai Foshan City Guangdong China

TEL: +86-757-8180 8687

FAX: +86-757-8180 8685

E-mail: info@liteharbor.com

Website: www.liteharbor.com

Specifications subject to change w/o notice

Revision: Jul. 2019



Applications

Apply to automotive and parking, education, government, healthcare, hospitality, offices and banks, religious, retail.

Parameter List

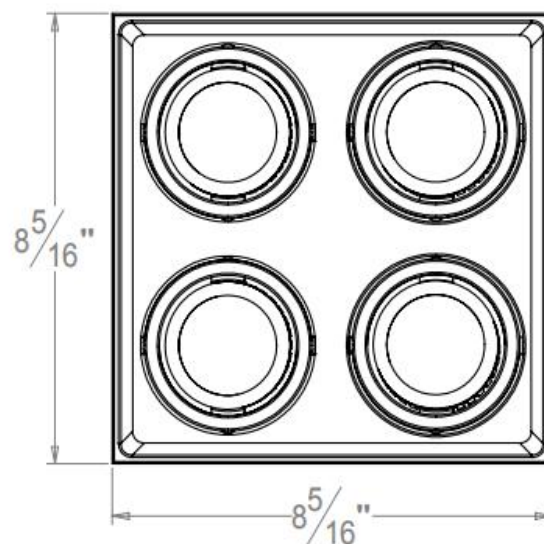
Watt	32W	40W	60W
Voltage	AC 120V/230V/277V/120V-277V		
Frequency	50/60 Hz		
PF	>0.9		
Dimming	Non-Dimming/TRIAC Dimming		
CRI	80+/90+		
CCT	3000/4000/5000/6500K		

Listing / Warranty

ETL listed to US and Canadian standards for damp location W/Feed through.

5 Year Limited Warranty.

Dimension



LED DOWNLIGHT



Liteharbor Lighting Technology Co., Ltd.
New Industry Area Hecun Danzao Town
Nanhai Foshan City Guangdong China

TEL: +86-757-8180 8687
FAX: +86-757-8180 8685
E-mail: info@liteharbor.com

Website: www.liteharbor.com
Specifications subject to change w/o notice
Revision: Jul. 2019

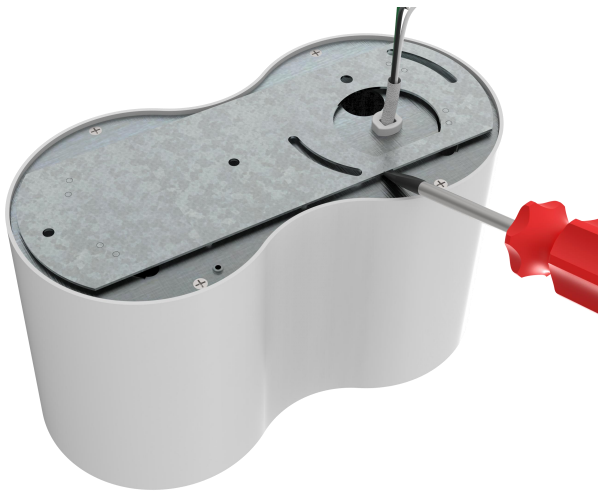
Ordering Guide

Series	Lumen	Voltage	CCT	CRI
<input type="checkbox"/> DL4022-S	<input type="checkbox"/> 2240lm	<input type="checkbox"/> AC 120V	<input type="checkbox"/> 2700K	<input type="checkbox"/> 80+
2x2 Lamps Surface Mounted	<input type="checkbox"/> 3200lm	<input type="checkbox"/> AC 230V	<input type="checkbox"/> 3000K	<input type="checkbox"/> 90+
LED Downlight	<input type="checkbox"/> 5000lm	<input type="checkbox"/> AC 277V	<input type="checkbox"/> 4000K	
		<input type="checkbox"/> AC120-277V	<input type="checkbox"/> 5000K	
			<input type="checkbox"/> 6500K	

Dimming	Finish
<input type="checkbox"/> Non-Dimming	<input type="checkbox"/> Black
<input type="checkbox"/> TRIAC Dimming	<input type="checkbox"/> White

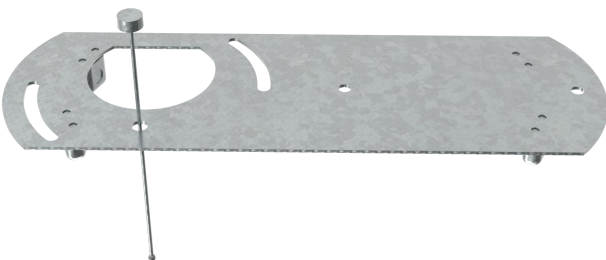


Installation Instruction



Step 1.

Remove the installation bracket from the back of the fixture.



Step 2.

Pass the safety rope through the mounting plate.



Liteharbor Lighting Technology Co., Ltd.

New Industry Area Hecun Danzao Town
Nanhai Foshan City Guangdong China

TEL: +86-757-8180 8687

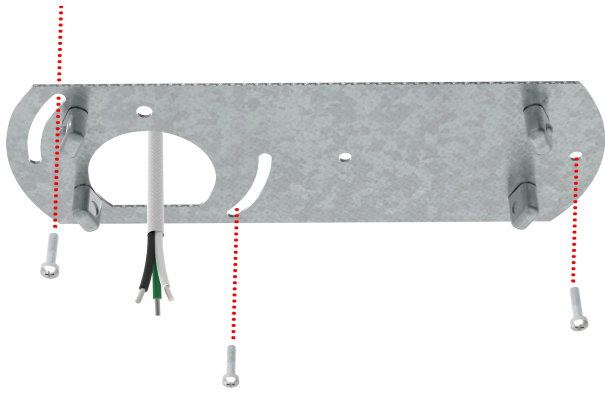
FAX: +86-757-8180 8685

E-mail: info@liteharbor.com

Website: www.liteharbor.com

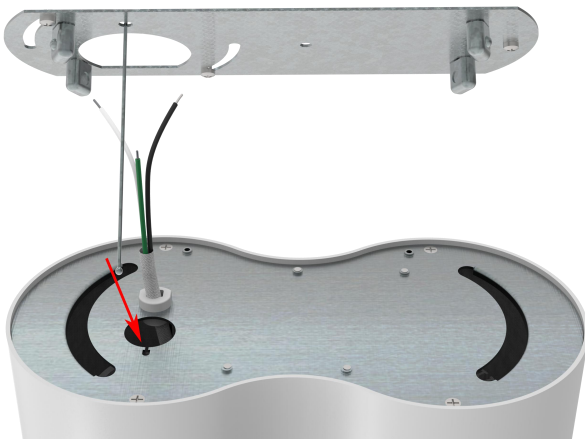
Specifications subject to change w/o notice

Revision: Jul. 2019



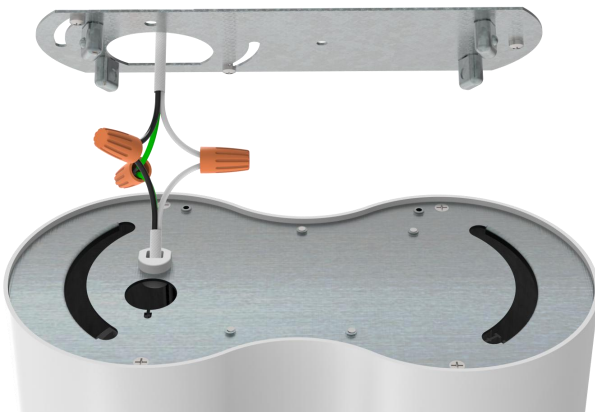
Step 3.

Attach the bracket to Junction box using the 2 screws(provided)
- pull the AC cable through the bracket center hole. And fix the other end to the ceiling with self-tapping screws.



Step 4.

Install the Safety Installation Cable from light fixture by pushing into the “key hole” in bracket.



Step 5.

Make the wire connections.



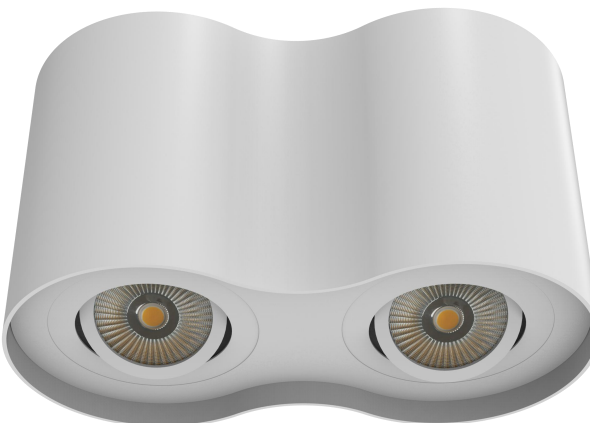
Step 6.

Push and feed all wires up into Junction box as you raise the fixture up into place.



Step 7.

Align slots on the edge of fixture with the ball bearings on the mounting bracket and PUSH to lock fixture in place.



Step 8.

Installed-Congratulations...
Enjoy the light!

