

# DL4011 LED DOWNLIGHT

<b>Catalog #</b>		<b>Prepared by</b>	LiteHarbor
<b>Project</b>		<b>Date</b>	
<b>Notes</b>			



## Surface Mounted Round Shape LED Downlight with 1 Lamp

### Features

- This is a circular surface-mounted spotlight that incorporates modern aesthetics. It has a beautifully curved shape, scientific light distribution, good light output, uniform light output, high efficiency and energy saving.
- The light source can be adjusted 25° vertically and 360° horizontally to direct the beam in any direction to meet your diverse lighting needs.
- The beam angle can be 12°, 24°, and suitable lamps can be selected according to actual needs to provide professional lighting.
- Patented convenient installation structure for quick and easy installation.
- Dimming: Non-Dimming/TRIAC Dimming.
- Adaptable 3" and 4" embedded box mounting.

### Specifications

Lamp Body: Made of die-cast aluminum, the material is light and has good heat dissipation.

Power Supply: Constant current power supply, long life, low electromagnetic interference, low energy consumption, high performance, short circuit and overcurrent protection.

Light Source: Using big brand COB lamp beads, color rendering index 80+, 90+ are optional, a variety of color temperature options (3000K, 4000K, 5000K, 6500K).

Mounting plate: Patent structure.



**Liteharbor Lighting Technology Co., Ltd.**

New Industry Area Hecun Danzao Town

Nanhai Foshan City Guangdong China

TEL: +86-757-8180 8687

FAX: +86-757-8180 8685

E-mail: info@liteharbor.com

Website: www.liteharbor.com

Specifications subject to change w/o notice

Revision: Jul. 2019



## Applications

Apply to automotive and parking, education, government, healthcare, hospitality, offices and banks, religious, retail.

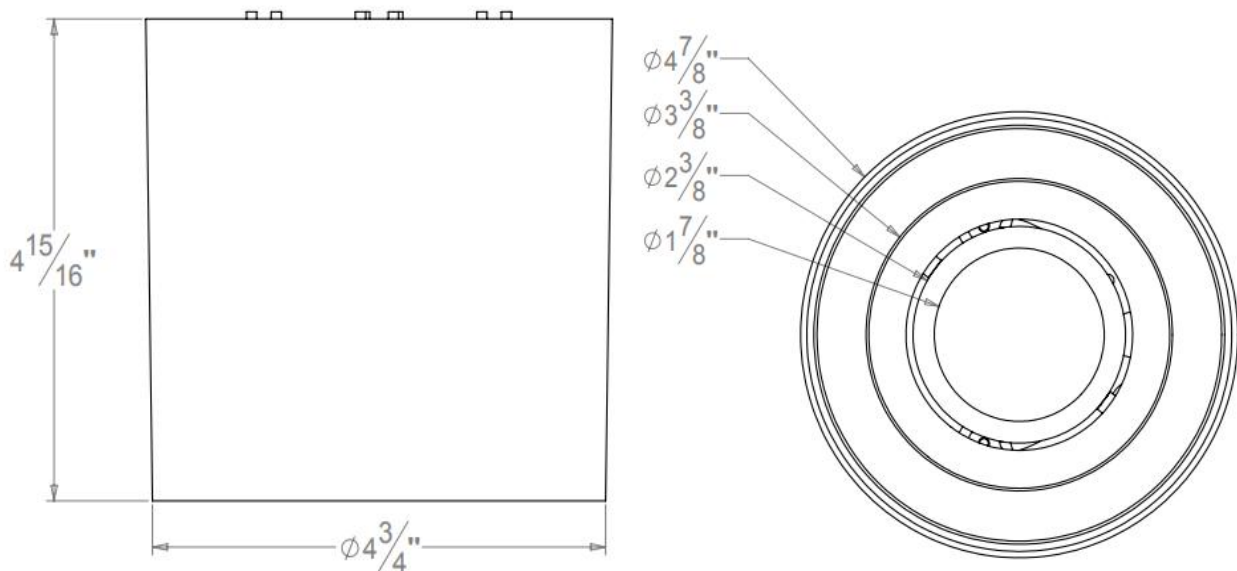
## Parameter List

Watt	8W	10W	15W
Voltage	AC 120V/230V/277V/120V-277V		
Frequency	50/60 Hz		
PF	>0.9		
Dimming	Non-Dimming/TRIAC Dimming		
CRI	80+/90+		
CCT	3000/4000/5000/6500K		

## Listing / Warranty

ETL listed to US and Canadian standards for damp location W/Feed through.  
5 Year Limited Warranty.

## Dimension



## Ordering Guide

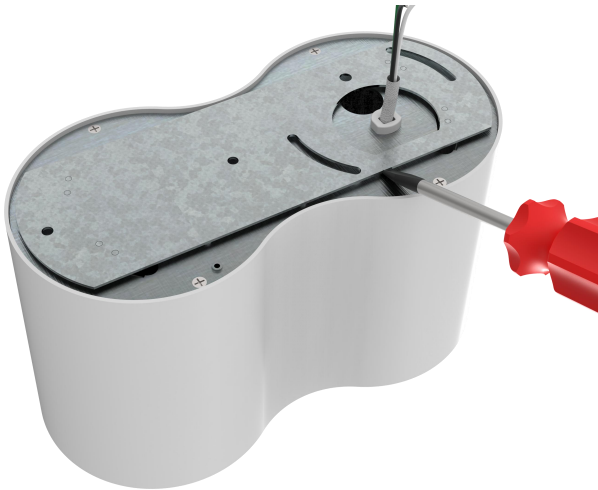
Series	Lumen	Voltage	CCT	CRI
<input type="checkbox"/> DL4011	<input type="checkbox"/> 560lm	<input type="checkbox"/> AC 120V	<input type="checkbox"/> 2700K	<input type="checkbox"/> 80+
1 Lamp Surface Mounted	<input type="checkbox"/> 800lm	<input type="checkbox"/> AC 230V	<input type="checkbox"/> 3000K	<input type="checkbox"/> 90+
LED Downlight	<input type="checkbox"/> 1250lm	<input type="checkbox"/> AC 277V	<input type="checkbox"/> 4000K	
		<input type="checkbox"/> AC120-277V	<input type="checkbox"/> 5000K	
			<input type="checkbox"/> 6500K	

Dimming	Finish
<input type="checkbox"/> Non-Dimming	<input type="checkbox"/> Black
<input type="checkbox"/> TRIAC Dimming	<input type="checkbox"/> White

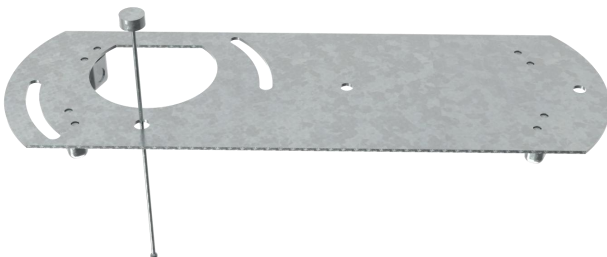


## Installation Instruction



### Step 1.

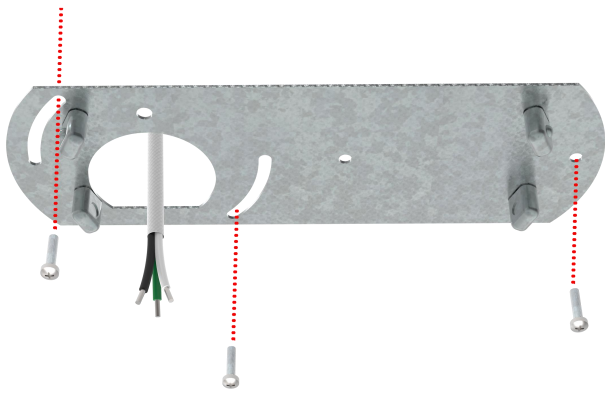
Remove the installation bracket from the back of the fixture.



### Step 2.

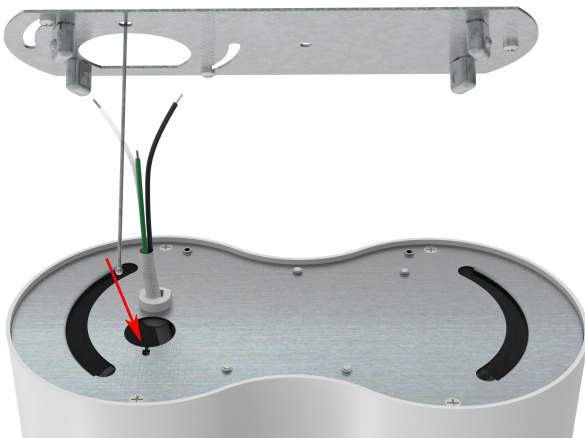
Pass the safety rope through the mounting plate.





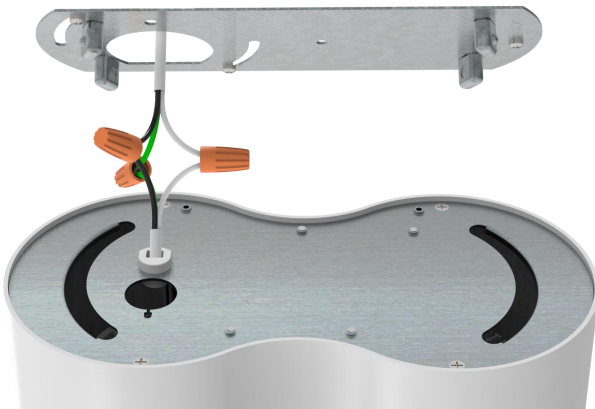
**Step 3.**

Attach the bracket to Junction box using the 2 screws(provided)  
- pull the AC cable through the bracket center hole. And fix the other end to the ceiling with self-tapping screws.



**Step 4.**

Install the Safety Installation Cable from light fixture by pushing into the “key hole” in bracket.



**Step 5.**

Make the wire connections.





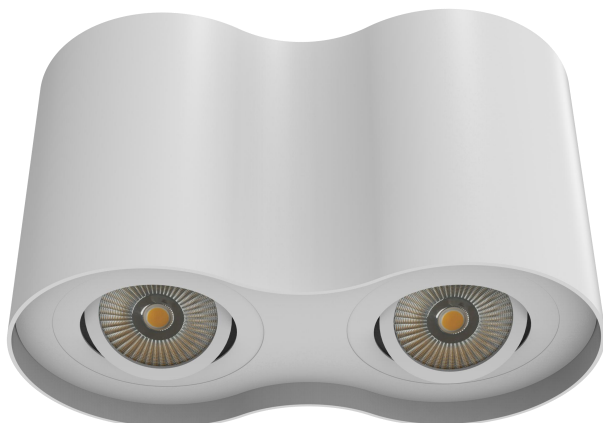
**Step 6.**

Push and feed all wires up into Junction box as you raise the fixture up into place.



**Step 7.**

Align slots on the edge of fixture with the ball bearings on the mounting bracket and PUSH to lock fixture in place.



**Step 8.**

Installed-Congratulations...  
Enjoy the light!

LED DOWNLIGHT



**Liteharbor Lighting Technology Co., Ltd.**  
New Industry Area Hecun Danzao Town  
Nanhai Foshan City Guangdong China

TEL: +86-757-8180 8687  
FAX: +86-757-8180 8685  
E-mail: [info@liteharbor.com](mailto:info@liteharbor.com)

Website: [www.liteharbor.com](http://www.liteharbor.com)  
Specifications subject to change w/o notice  
Revision: Jul. 2019