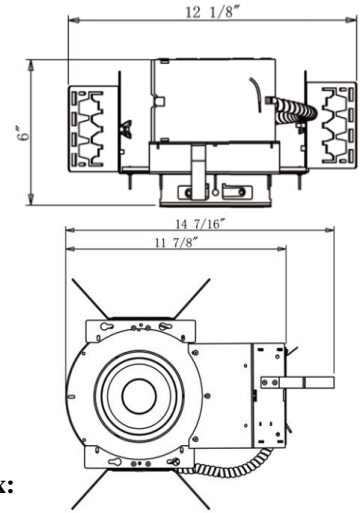


AL4-VA1 4" Architectural LED Downlight

Catalog #		Prepared by	LiteHarbor
Project		Date	
Notes			



4" Architectural LED Downlight

Description

- 1) Lighting is smooth and comfortable while using 50% less energy than the common CFL downlight.
- 2) Eco-friendly no lead or mercury
- 3) Designed to install into an existing downlights mounting frame and convert them into energy efficient LED downlights to save anywhere from 35% up to 75% on energy cost.
- 4) Ideal suited for use in commercial, retail and other architectural applications
- 5) Available with dedicated Emergency Battery Back-up

Reflector

- 1) High quality reflector with 1.2mm thickness
- 2) Optional painted white flange is available

Reflector Assembly

Reflector easily wires to dedicated frame with locking quick connect

LED Module

Cree true white® technology available
CRI > 80%

Color temperature: 3000K-5000K

Rated for 50000 hours at 70% lumen output

Order Matrix:

A B C D E F G

Item No.: AL4-VA1						
-------------------	--	--	--	--	--	--

A	Series
AL4-VA1	4" Architectural Downlight LED

B	Input Voltage
	120V
##	277V
U	120-277V

C	LED Available
Cree	Cree
Citizen	Citizen
Epistar	Epistar
Seoul	Seoul
Osram	Osram

ARCHITECTURAL DOWNLIGHT



Liteharbor Lighting Technology Co., Ltd.
New Industry Area Hecun Danzao Town
Nanhai Foshan City Guangdong China

TEL: +86-757-8180 8675
FAX: +86-757-8180 8685
E-mail: info@liteharbor.com

Website: www.liteharbor.com
Specifications subject to change w/o notice
Revision: Jan. 2015

No heat, mercury or UV

Electrical System

Thermal protection guard protects the LED module from overheating and will dim LED module if necessary

PF>0.9

Fully dimmable down to 10% of initial light output with a 0-10 Volt dimmer

Frame

Constructed from 16-gauge steel, die-formed construction for max heat dissipation and rust protection.

Clearance

Frames require a minimum clearance of 3" ring from thermal insulation and 1/2" from adjacent building component.

Mounting

- 1)Designed to install into an existing downlights mounting frame and convert them into energy efficient LED downlights.
- 2)Flex is designed to attach into existing junction box.
- 3)Vertically adjustable universal mounting brackets accept flat bar hangers, conduit or C channel.
- 4)The reflector assembly is held in with 4 "butter-fly" spring clips.
- 5)Reflector assy quickly attaches with lockable quick connect. Hanger bars ordered separately.
- 6)Compatible with C-channel, flat bar wood joist bar hanger and EMT

Junction Box

- 1)Plaster frame integrated 29 cubic inch 0.064" thick galvanized steel
- 2)Provided with four 1/2" knockouts, one 3/4" knockout and four Romex knockouts with true pryout slots and strain clamps.
- 3)Designed for straight through conduit runs.
- 4)Electrical connections are made through a single junction box door.
- 5)Green wire provided for installation with ground wire fed through PVC pipe conduit.

Thermal Protector

External thermal device is located on the junction box wrap.

D	Dimmable
	Non-Dimmable
DM	Dimmable

E	Lumen Output
#	900 Lumen
1200	1200 Lumen
1500	1500 Lumen
2000	2000 Lumen

F	Color Temperature
30K	3000K
40K	4000K
50K	5000K

G	Options
EM	Emergency Backup
C	C-Channel Bar Hanger
F	Flat Bar Hanger
H	Wood Joist Bar Hanger

Reflector Matrix

A	B	C
A	Trim	
SF	Self Flanged	
SFW	Self Flanged White	
	No Flange	

B	Reflector Finish
C	Clear
HZ	Haze
WH	White

C	Lens Type
CR	Clear Tempered
SB	Sand Blasted



Driver

The LED driver is mounted to the J-box cover and is accessible from below the ceiling.

Rated for 50 to 60Hz at 120V/277V input

Produces less than 20% THD

Listing & Warranty

ETL listed to US and Canada standards for wet locations

5-year limited warranty

Other Special Requirements Please Confirm with Factory



Liteharbor Lighting Technology Co., Ltd.

New Industry Area Hecun Danzao Town
Nanhai Foshan City Guangdong China

TEL: +86-757-8180 8675

FAX: +86-757-8180 8685

E-mail: info@liteharbor.com

Website: www.liteharbor.com

Specifications subject to change w/o notice

Revision: Jan. 2015