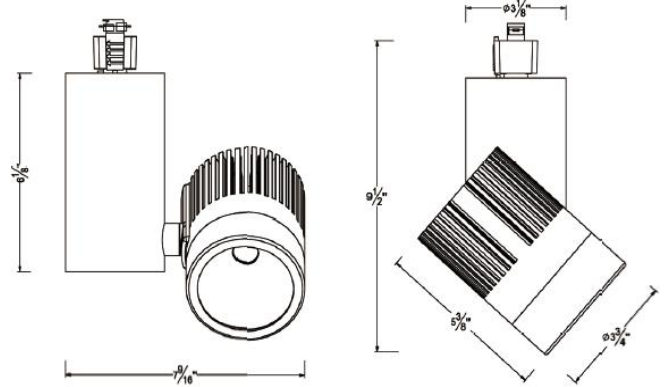


K3023L LED COB Track Lighting

Catalog #		Prepared by	LiteHarbor
Project		Date	
Notes			



ORDER MATRIX | Example:K3023L

<u>A</u>	<u>B</u>	<u>C</u>	<u>D</u>	<u>E</u>	<u>F</u>
A	Series				
K3023L	COB Track Light(40W)				
B	Finish				
WH	White				
BK	Black				
SV	Silver				
SN	Satin Nickel				
C	Power Supply				
ND120	Non-Dimming 120V				
ND277	Non-Dimming 277V				
D120	0-10V Dimming 120V				
D277	0-10V Dimming 277V				
D	LED Available				
Philips	Philips				
Cree	Cree				
Epistar	Epistar				
Seoul	Seoul				
Osram	Osram				

LED Light Engine

Color Temperature 2700K-6000K
 CRI 80+
 3 Step MacAdam(3 SDMC)
 Passive aluminum heat sink
 50,000 hrs average rated life

Electrical System

120V/277 50/60Hz input
 Over voltage,over current and short circuit protection:
 Auto recovery
 MTBF > 100,000 hours

Optics

16 °Spot,24 °Narrow Flood,32 °Flood

Dimming

Track Dimming
 — (ELV) reverse phase control dimmers.120V only.
 — Dimmable 100-10%
 Canopy Dimming
 — ELV Dimming 120V
 — 0-10V Dimming 120V or 277V



TRACK LIGHTING



Liteharbor Lighting Technology Co., Ltd.

New Industry Area Hecun Danzao Town
 Nanhai Foshan City Guangdong China

TEL: +86-757-8180 8675

FAX: +86-757-8180 8685

E-mail: info@liteharbor.com

Website: www.liteharbor.com

Specifications subject to change w/o notice

Revision: Jan. 2015

E	Color Temperature
27K	2700K
30K	3000K
40K	4000K
50K	5000K
60K	6000K

F	Beam Spread
16°	16° Spot
24°	24° Narrow Flood
32°	32° Flood
50°	50° Flood

Compatibility

Track luminaire is designed for use with the following track systems:

- Single Circuit/Single Neutral 120V
- Two Circuit/Single Neutral 120V
- Two Circuit/Two Neutral 120V
- Two Circuit/Two Neutral 277V

Listing & Warranty:

ETL Listed to US and Canadian standards for dry locations
5-Year Limited Warranty



Liteharbor Lighting Technology Co., Ltd.

New Industry Area Hecun Danzao Town

Nanhai Foshan City Guangdong China

TEL: +86-757-8180 8675

FAX: +86-757-8180 8685

E-mail: info@liteharbor.com

Website: www.liteharbor.com

Specifications subject to change w/o notice

Revision: Jan. 2015

OPTIONAL ACCESSORIES



K500
Global Adaptor
Finish: WH/BK



K600
Single/Two Circuit Live End
Finish: WH/BK



K601
Single /Two Circuit End Feed
Finish: WH/BK



K602
Single/Two Circuit Flexible Connector
Finish: WH/BK



K604
T-bar Attachment Clips For T-bar Drop Ceiling
Finish: WH/BK/SN



K605
Single/Two Circuit Floating Canopy
Finish: WH/BK



K606
Single/Two Circuit Live End With Box Cover
Finish: WH/BK



K607
Track End Cap
Finish: WH/BK



K608
Mini Coupling
Finish: WH/BK



K609
Single/Two Circuit T-Connector
Finish: WH/BK



K610
Single Circuit 90° Connector
Finish: WH/BK



K611
Single/Two Circuit X-Connector
Finish: WH/BK



K612
Live End With Cord&Plug
Finish: WH/BK
Available in 2 wire,3 wire,4 wire



K5-3
Single Circuit/Two Circuit Track
Single circuit track is rated for 2400W
features 12-gauge copper conductors and

a separate ground conductor.
Two circuit track includes 12-gauge copper conductors and features a double load capacity at 4800W max.
Single/Two Circuit Track is available in white,black,and satin nickel finishes,and in 4,6,and 8-foot sizes,and can also be field cut to your preference.

