



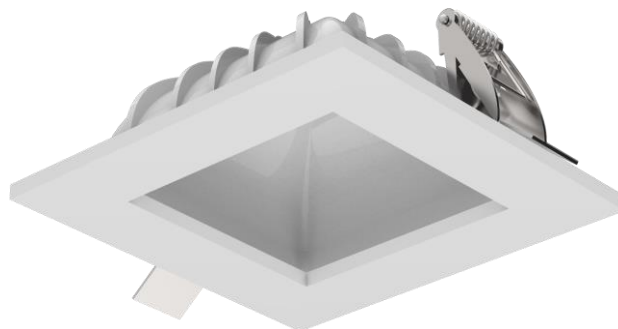
# BL4-401 4" Ceiling LED Dome Light

Catalog #		Prepared by	LiteHarbor
Project		Date	
Notes			

## Round Shape & Remodel Type



Round



Square

## 4" Ceiling LED Dome Light

### Description

Liteharbor Interior Dome Lights are designed to reduce targeting and improve design for better quality light. Gentle light comes out after reflected through reflector, to achieve soft lighting without seeing the light source, replaced direct lighting, like a moon hanging on the ceiling. Lights are available with LED Lighting technology and offer a stylish sleek appearance.

### Features

- Die cast aluminum body material with good heat dissipation
- High quality LED provides bright ambient lighting
- Higher reflection rate Reflector with nano powder sprayed on surface
- New construction is optional, no housing required
- Trimless design is available
- Use FT4 wire with high flame retardant grade
- Independent drive junction box, easy to replace
- Can be installed in 0.5 "to 1.25" thick ceilings
- Safe isolated power supply
- Flicker free stable dimming, can be compatible with multi brand dimmers

A    B    C    D    E

**Item No.: BL4-401**

A	Series
BL4-401	4" Round Shape & Remodel
BL4-401-NC	4" Round Shape & New Construction
BL4-S401	4" Square Shape & Remodel
BL4-S401-NC	4" Square Shape & New Construction
BL6-401	6" Round Shape & Remodel
BL6-401-NC	6" Round Shape & New Construction
BL6-S401	6" Square Shape & Remodel
BL6-S401-NC	6" Square Shape & New Construction

B	Input Voltage
	110V
277	277V



PANEL LIGHT



**Liteharbor Lighting Technology Co., Ltd.**  
New Industry Area Hecun Danzao Town  
Nanhai Foshan City Guangdong China

TEL: +86-757-8180 8675  
FAX: +86-757-8180 8685  
E-mail: info@liteharbor.com

Website: www.liteharbor.com  
Specifications subject to change w/o notice  
Revision: Nov. 2016

Easy tool-free installation, save time  
 Finish optional: White/ Black/ Satin Nickel/ Chrome, etc.

**Listing & Warranty**

ETL listed to US and Canadian standards  
 ENERGY STAR  
 2 Year Limited Warranty

C	Color Temperature
27	2700K
30	3000K
40	4000K
50	5000K
60	6000K
	CCT Tunable

**Specification**

Round Item	BL4-401	BL6-401		
Square Item	BL4-S401	BL6-S401		
Size	4 inch	6 inch		
Wattage	8W Max.	14W Max.		
Lumen Efficiency	100LM/W			
Voltage	120V ±10%, 277V AC, 50/60Hz			
Temperature	2700-6000K			
CRI	80+ / 90+			
PF	>0.9			
Dimmable	TRIAC			

D	Dimmable
	Non-Dimmable
DM	Dimmable

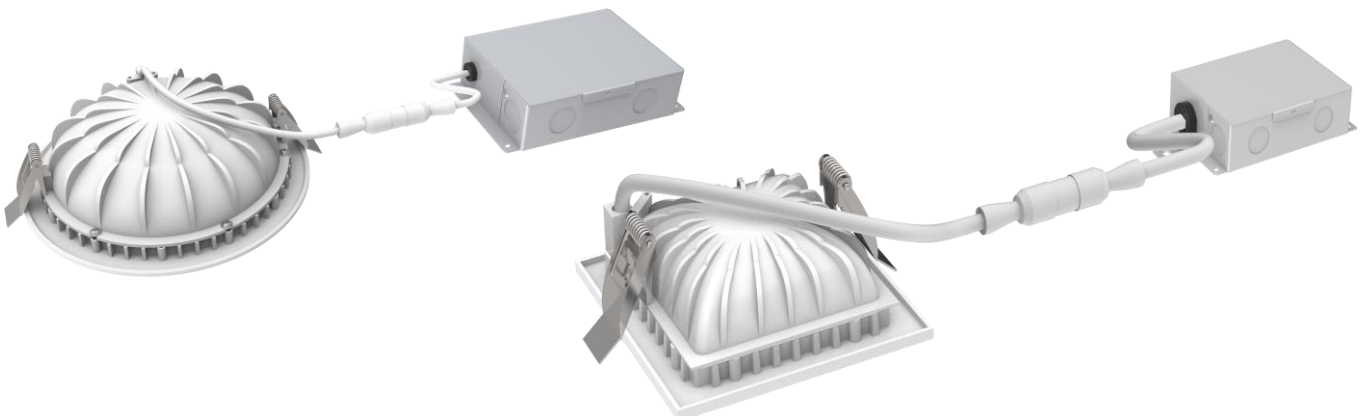
E	Finish
WH	White
BK	Black
SN	Satin Nickel
CH	Chrome

**Packing**

Model Size	4 inch	6 inch	
Unit Size	425x350x305mm	540x405x230mm	
Box Size	145x135x83mm	205x195x85mm	
S/CTN	24 PCS/CTN	12 PCS/CTN	

4"	LM	6"	LM
5W	500lm	8W	800lm
7W	700lm	10W	1000lm
8W	800lm	12W	1200lm
		14W	1400lm

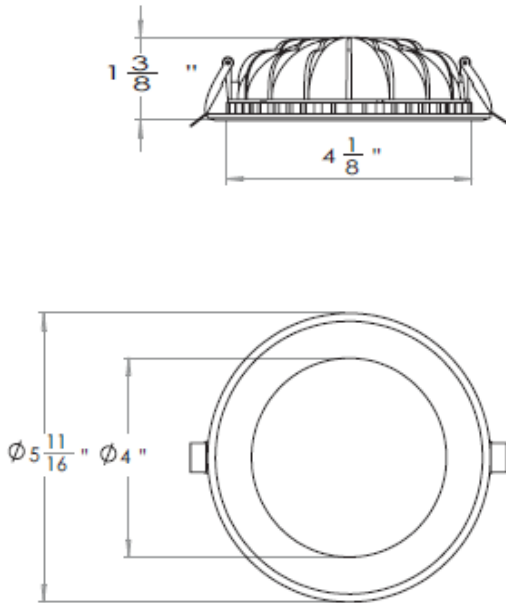
**Back**



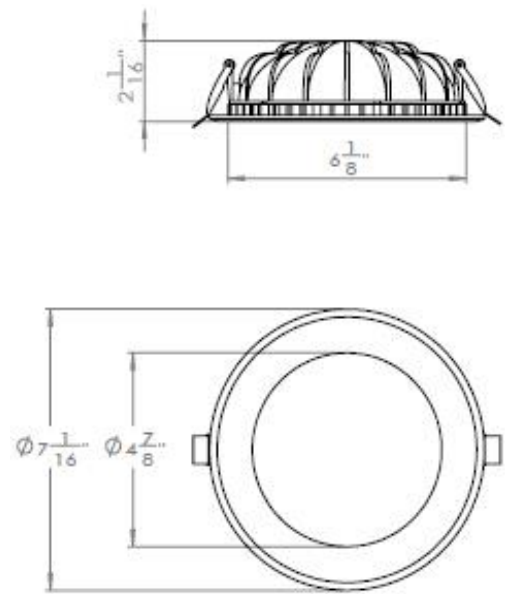
PANEL LIGHT

## Dimensions

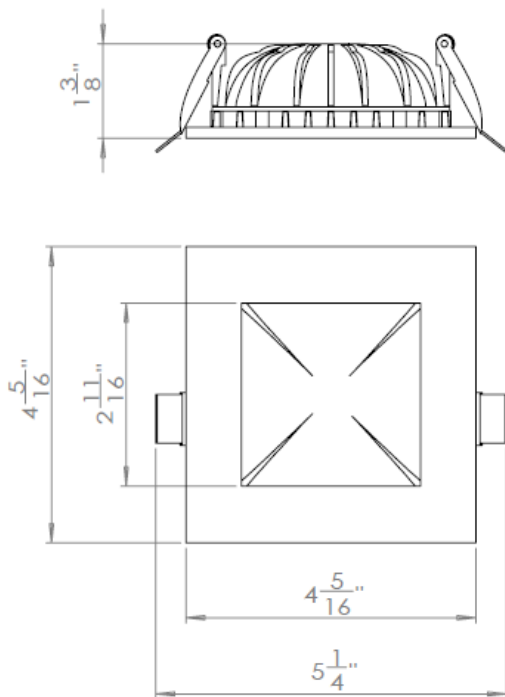
**BL4-401**



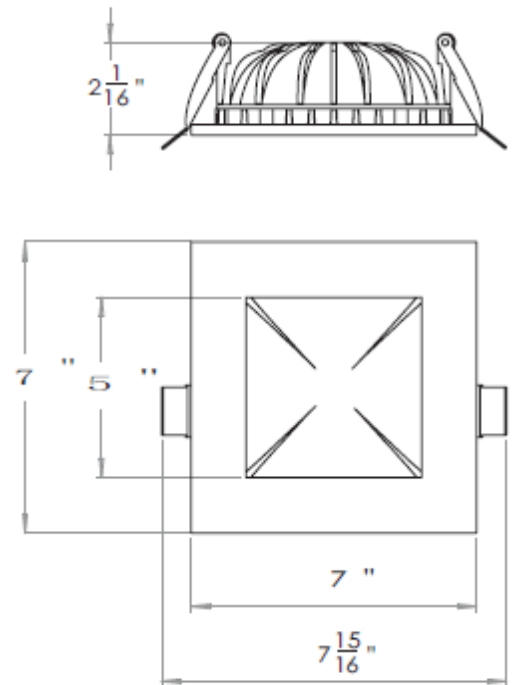
**BL6-401**



**BL4-S401**

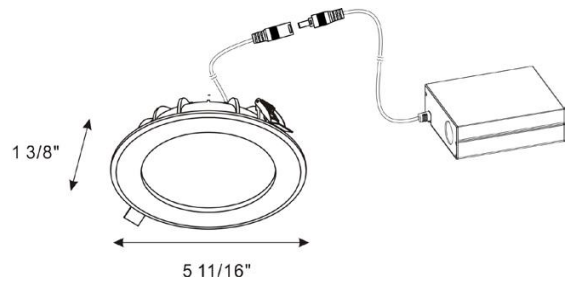
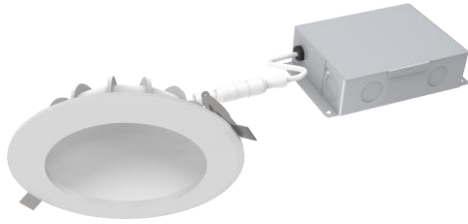


**BL6-S401**

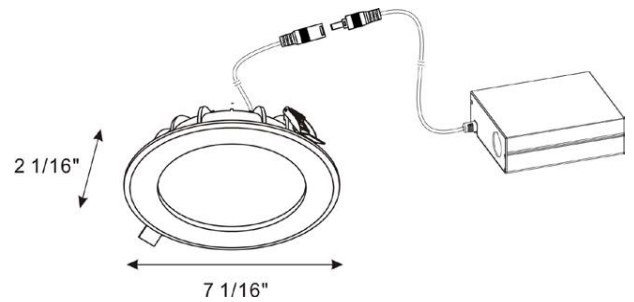
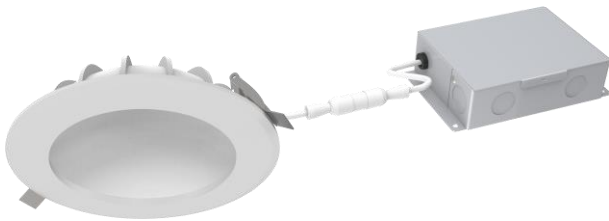


## Remodel

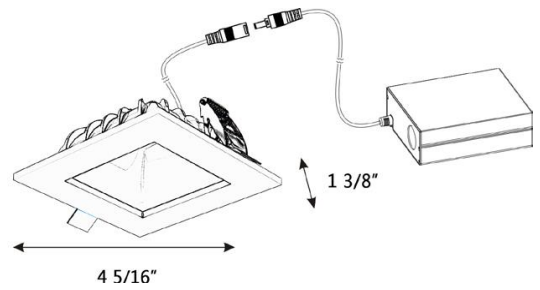
**BL4-401 - 4inch & Round**



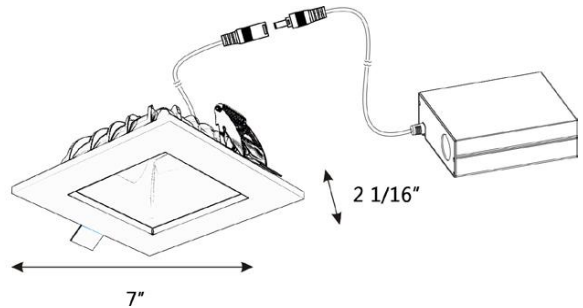
**BL6-401 - 6inch & Round**



**BL4-S401 - 4inch & Square**



**BL6-S401 - 6inch & Square**



PANEL LIGHT



**Liteharbor Lighting Technology Co., Ltd.**

New Industry Area Hecun Danzao Town  
Nanhai Foshan City Guangdong China

TEL: +86-757-8180 8675

FAX: +86-757-8180 8685

E-mail: info@liteharbor.com

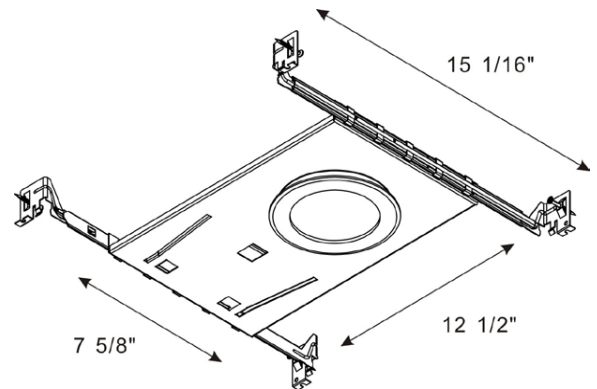
Website: www.liteharbor.com

Specifications subject to change w/o notice

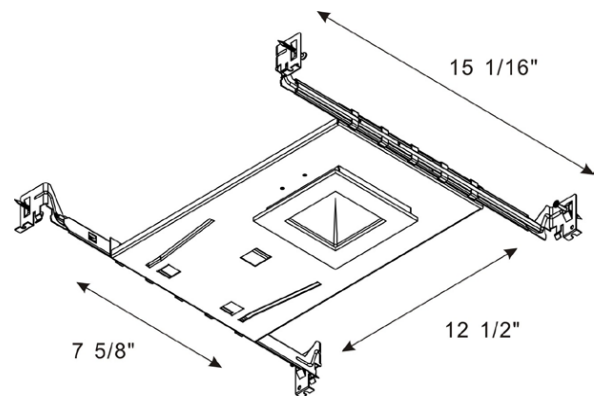
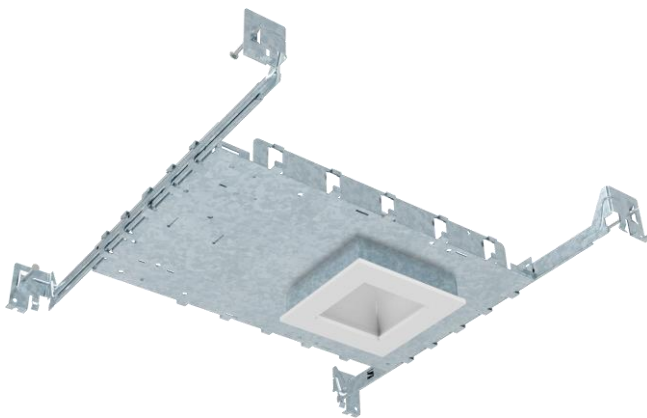
Revision: Nov. 2016

## New Construction

### BL4-401-NC - 4inch & Round



### BL4-S401-NC - 4inch & Square



PANEL LIGHT



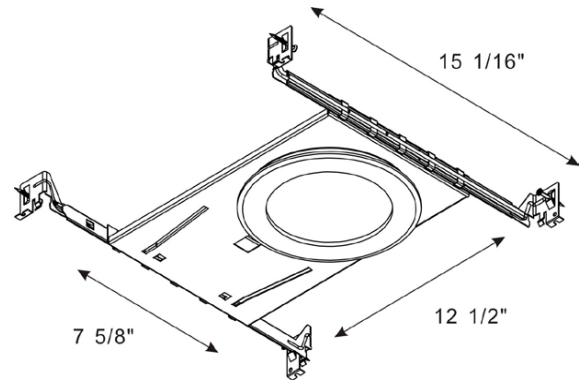
**Liteharbor Lighting Technology Co., Ltd.**  
New Industry Area Hecun Danzao Town  
Nanhai Foshan City Guangdong China

TEL: +86-757-8180 8675  
FAX: +86-757-8180 8685  
E-mail: info@liteharbor.com

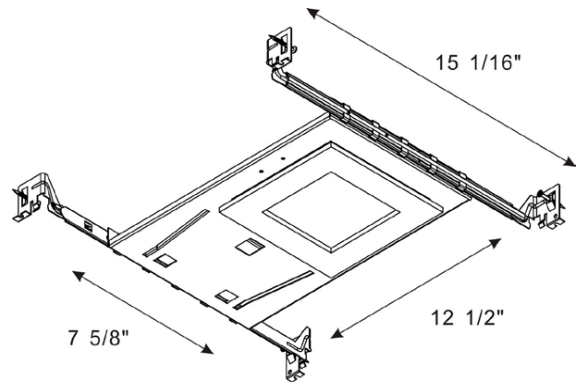
Website: www.liteharbor.com  
Specifications subject to change w/o notice  
Revision: Nov. 2016

## New Construction

**BL6-401-NC - 6inch & Round**



**BL6-S401-NC - 6inch & Square**



PANEL LIGHT



**Liteharbor Lighting Technology Co., Ltd.**  
New Industry Area Hecun Danzao Town  
Nanhai Foshan City Guangdong China

TEL: +86-757-8180 8675  
FAX: +86-757-8180 8685  
E-mail: info@liteharbor.com

Website: www.liteharbor.com  
Specifications subject to change w/o notice  
Revision: Nov. 2016

