

**BEL4-A-S02  
LED EYEBALL DOWNLIGHT**

<b>Catalog #</b>		<b>Prepared by</b>	LiteHarbor
<b>Project</b>		<b>Date</b>	
<b>Notes</b>			



White



Black

**4 Inch Square Shape LED Eyeball Downlight**

**Description**

This is a 4" rotatable LED eyeball downlight allow for you to set the ambiance in your space, a full range of repositioning to highlight your decoration, giving you everything needed to install this beautiful, ultra thin recessed lighting solution.

**Features**

- Swivel eyeball trim allows the flexibility focus light on a specific area and create the ambiance you desire.
- Dimming: TRAIC Dimming, (0-10V dimming for 120-277V).
- Protected LED driver performs at 120V (120-277V available).
- This fixture is built to last with maintenance-free energy efficient LEDs.
- Beam Angle: 30/60 Degree.
- IP Rating: IP44.

**Applications**

Apply to automotive and parking, education, government, healthcare, hospitality, offices and banks, religious, retail.



**Liteharbor Lighting Technology Co., Ltd.**  
New Industry Area Hecun Danzao Town  
Nanhai Foshan City Guangdong China

TEL: +86-757-8180 8687  
FAX: +86-757-8180 8685  
E-mail: info@liteharbor.com

Website: www.liteharbor.com  
Specifications subject to change w/o notice  
Revision: May. 2019

## Specification

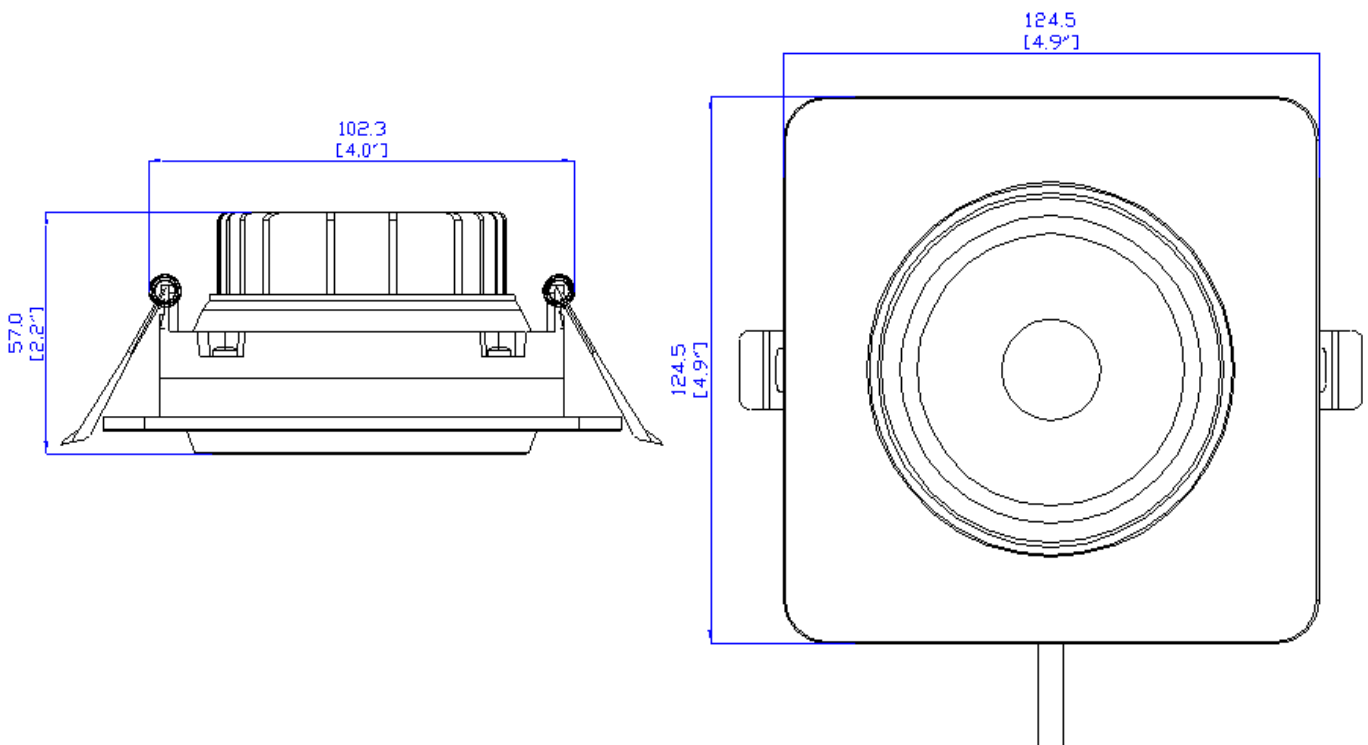
Watt	15W
Voltage	AC 120V/120-277V
Driver	Liteharbor
PF	>0.9
Dimming	Dimmable
Lumen	1200lm
Light Source	COB
CRI	90+
Beam Angle	30D/60D
CCT	2700K-5000K
Material	Aluminum
Finish	White/Black
Dimension	124.5mm*124.5mm*57mm

## Listing / Warranty

ETL listed to US and Canadian standards for damp location W/Feed through.

3 Year Limited Warranty.

## Dimensions



LED DOWNLIGHT



**Liteharbor Lighting Technology Co., Ltd.**

New Industry Area Hecun Danzao Town  
Nanhai Foshan City Guangdong China

TEL: +86-757-8180 8687

FAX: +86-757-8180 8685

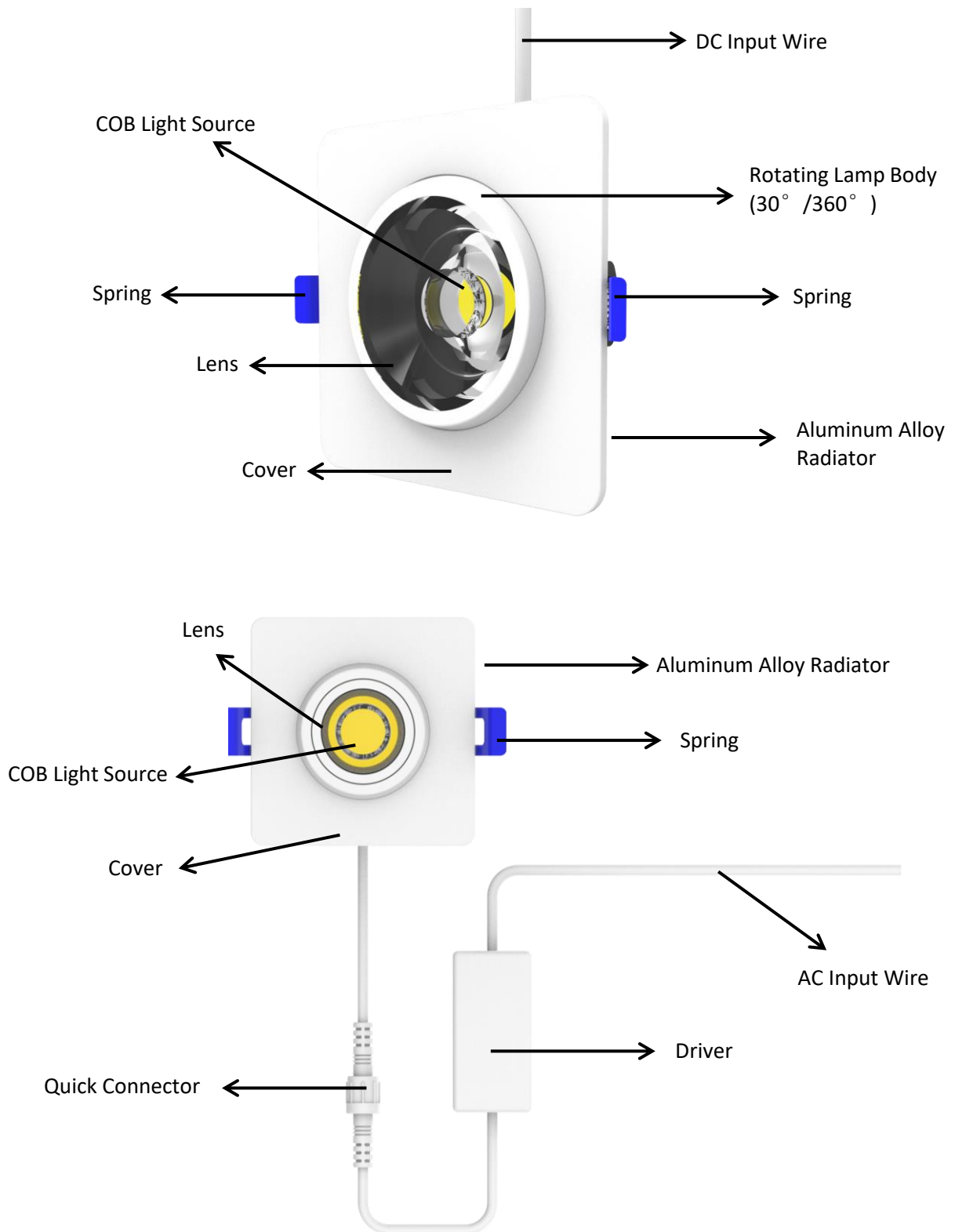
E-mail: info@liteharbor.com

Website: www.liteharbor.com

Specifications subject to change w/o notice

Revision: May. 2019

## Structural Introduction



LED DOWNLIGHT



**Liteharbor Lighting Technology Co., Ltd.**  
 New Industry Area Hecun Danzao Town  
 Nanhai Foshan City Guangdong China

TEL: +86-757-8180 8687  
 FAX: +86-757-8180 8685  
 E-mail: info@liteharbor.com

Website: www.liteharbor.com  
 Specifications subject to change w/o notice  
 Revision: May. 2019

## Ordering Guide

<b>Series</b>	<b>Input Voltage</b>	<b>Watt</b>	<b>CCT</b>	<b>Finish</b>
<input type="checkbox"/> BEL4-A-S02	<input type="checkbox"/> 120V	<input type="checkbox"/> 15W	<input type="checkbox"/> 2700K	<input type="checkbox"/> Black
LED Eyeball	<input type="checkbox"/> 120-277V		<input type="checkbox"/> 3000K	<input type="checkbox"/> White
Downlight			<input type="checkbox"/> 4000K	
			<input type="checkbox"/> 5000K	



**Liteharbor Lighting Technology Co., Ltd.**

New Industry Area Hecun Danzao Town  
Nanhai Foshan City Guangdong China

TEL: +86-757-8180 8687

FAX: +86-757-8180 8685

E-mail: [info@liteharbor.com](mailto:info@liteharbor.com)

Website: [www.liteharbor.com](http://www.liteharbor.com)

Specifications subject to change w/o notice

Revision: May. 2019