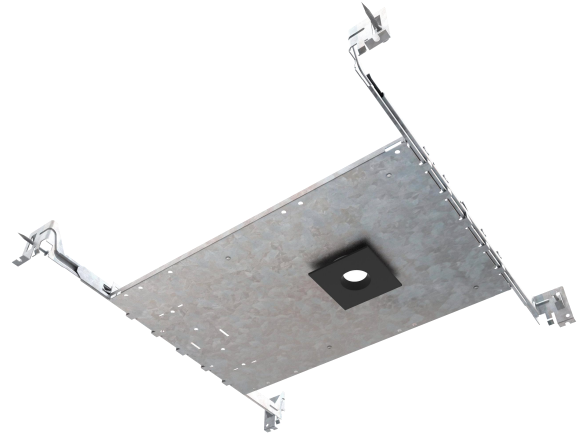


# BL2-A-S01-NC LED DOWNLIGHT

<b>Catalog #</b>		<b>Prepared by</b>	LiteHarbor
<b>Project</b>		<b>Date</b>	
<b>Notes</b>			



White



Black



LED DOWNLIGHT

## 2 Inch New Construction Square Shape LED Downlight

### Description

This product is a high efficiency SMD LED downlight with selectable tri colour temperature and a powder coated white finish frame. It can be easily install in different types of ceiling without having to undergo messy and complicated routing and housing reconstruction while providing you with high quality lighting every time you need.

### Features

- Full luminaire made of high quality die cast aluminium.
- Protected LED driver performs at 120V.
- This fixture is built to last with maintenance-free energy efficient LEDs.
- Beam Angle: 90 Degree.
- IP Rating: IP44.

### Applications

Apply to residential, automotive, parking, education, government, healthcare, hospitality, offices and banks, religious, retail.



**Liteharbor Lighting Technology Co., Ltd.**  
New Industry Area Hecun Danzao Town  
Nanhai Foshan City Guangdong China

TEL: +86-757-8180 8687  
FAX: +86-757-8180 8685  
E-mail: info@liteharbor.com

Website: www.liteharbor.com  
Specifications subject to change w/o notice  
Revision: Jun. 2019

## Specification

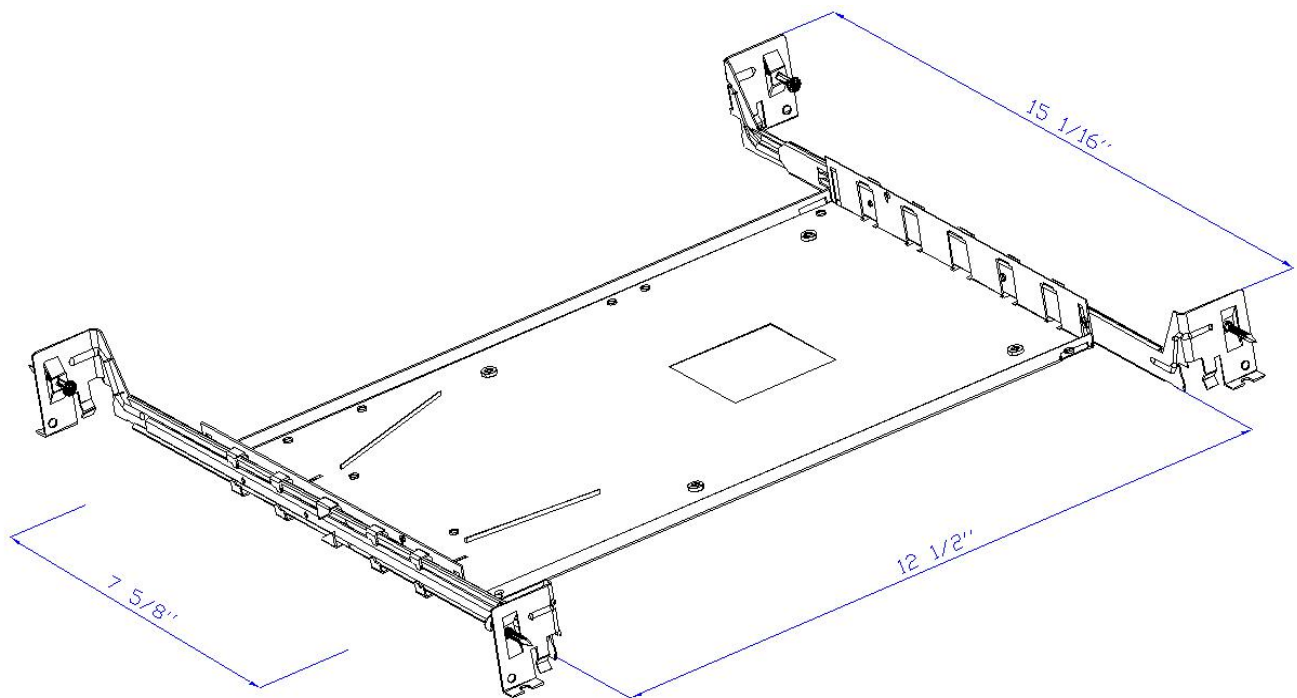
Watt	6W
Voltage	AC 120V
Driver	Liteharbor
PF	>0.9
Dimming	Non-Dimming
Lumen	480lm
Light Source	SMD
CRI	90+
Beam Angle	90D
CCT	2700K-5000K
Material	Aluminum
Finish	White/Black

## Listing / Warranty

ETL listed to US and Canadian standards for damp location W/Feed through.

3 Year Limited Warranty.

## Dimensions



LED DOWNLIGHT

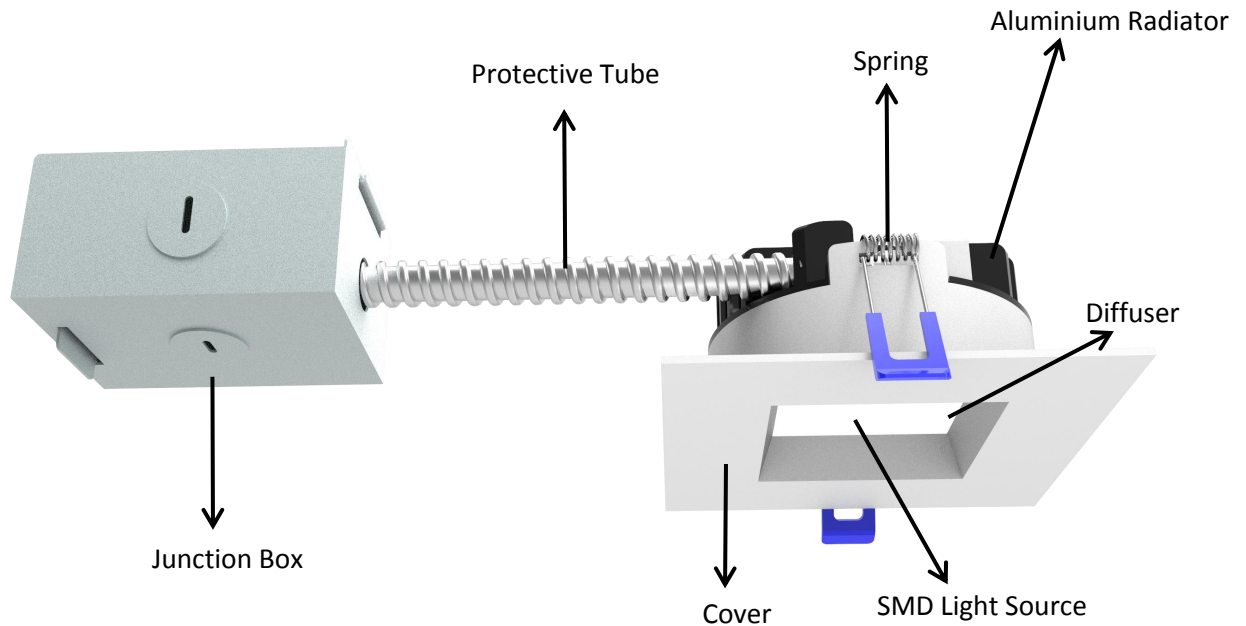


**Liteharbor Lighting Technology Co., Ltd.**  
New Industry Area Hecun Danzao Town  
Nanhai Foshan City Guangdong China

TEL: +86-757-8180 8687  
FAX: +86-757-8180 8685  
E-mail: [info@liteharbor.com](mailto:info@liteharbor.com)

Website: [www.liteharbor.com](http://www.liteharbor.com)  
Specifications subject to change w/o notice  
Revision: Jun. 2019

## Structural Introduction



LED DOWNLIGHT

## Ordering Guide

Series	Input Voltage	Watt	CCT	Finish
<input type="checkbox"/> BL2-A-S01-NC LED Downlight	<input type="checkbox"/> 120V	<input type="checkbox"/> 6W	<input type="checkbox"/> 2700K <input type="checkbox"/> 3000K <input type="checkbox"/> 4000K <input type="checkbox"/> 5000K	<input type="checkbox"/> Black <input type="checkbox"/> White



**Liteharbor Lighting Technology Co., Ltd.**  
New Industry Area Hecun Danzao Town  
Nanhai Foshan City Guangdong China

TEL: +86-757-8180 8687  
FAX: +86-757-8180 8685  
E-mail: [info@liteharbor.com](mailto:info@liteharbor.com)

Website: [www.liteharbor.com](http://www.liteharbor.com)  
Specifications subject to change w/o notice  
Revision: Jun. 2019