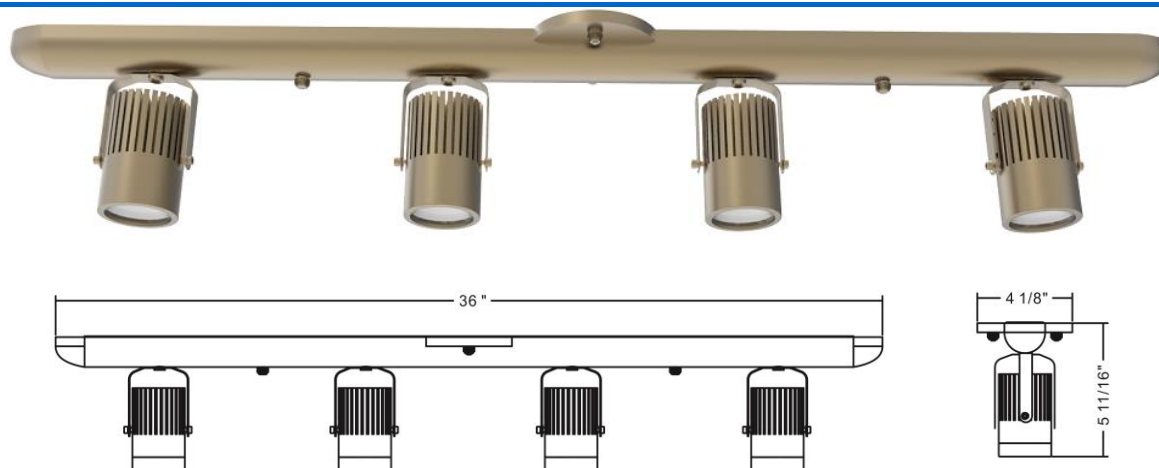


K3023-4C
Line Volt. Die-casting Track Head

| | | | |
|------------------|--|--------------------|------------|
| Catalog # | | Prepared by | LiteHarbor |
| Project | | Date | |
| Notes | | | |



ORDER MATRIX | Example:K3023-4C

| <u>A</u> | <u>B</u> | <u>C</u> | <u>D</u> | <u>E</u> | <u>F</u> | <u>G</u> |
|----------|--------------------|----------|----------|----------|----------|----------|
| A | Series | | | | | |
| K3023-4C | COB Track Light | | | | | |
| B | Finish | | | | | |
| WH | White | | | | | |
| BK | Black | | | | | |
| SV | Silver | | | | | |
| SN | Satin Nickel | | | | | |
| C | Power Supply | | | | | |
| ND120 | Non-Dimming 120V | | | | | |
| ND277 | Non-Dimming 277V | | | | | |
| D120 | 0-10V Dimming 120V | | | | | |
| D277 | 0-10V Dimming 277V | | | | | |
| D | LED Available | | | | | |
| Philips | Philips | | | | | |
| Cree | Cree | | | | | |
| Epistar | Epistar | | | | | |
| Seoul | Seoul | | | | | |
| Osram | Osram | | | | | |

LED Light Engine

Color Temperature 2700K-6000K
 CRI 80+
 3 Step MacAdam(3 SDMC)
 Passive aluminum heat sink
 50,000 hrs average rated life

Electrical System

120V/277 50/60Hz input
 Over voltage,over current and short circuit protection:
 Auto recovery
 MTBF > 100,000 hours

Optics

16 °Spot,24 °Narrow Flood,32 °Flood

Dimming

Track Dimming
 — (ELV) reverse phase control dimmers.120V only.
 — Dimmable 100-10%
 Canopy Dimming
 — ELV Dimming 120V
 — 0-10V Dimming 120V or 277V



Liteharbor Lighting Technology Co., Ltd.
 New Industry Area Hecun Danzao Town
 Nanhai Foshan City Guangdong China

TEL: +86-757-8180 8675
 FAX: +86-757-8180 8685
 E-mail: info@liteharbor.com

Website: www.liteharbor.com
 Specifications subject to change w/o notice
 Revision: Jan. 2015



| E | Watt/Lumen |
|---------|-----------------------|
| 30/LAMP | 30W / 2250LM Per Lamp |
| 32/Lamp | 32W / 2720LM Per Lamp |

| F | Color Temperature |
|-----|-------------------|
| 27K | 2700K |
| 30K | 3000K |
| 40K | 4000K |
| 50K | 5000K |
| 60K | 6000K |

| G | Beam Spread |
|-----|------------------|
| 16° | 16° Spot |
| 24° | 24° Narrow Flood |
| 32° | 32° Flood |
| 50° | 50° Flood |

Compatibility

Track luminaire is designed for use with the following track systems:

- Single Circuit/Single Neutral 120V
- Two Circuit/Single Neutral 120V
- Two Circuit/Two Neutral 120V
- Two Circuit/Two Neutral 277V

Mounting

Mounts to a standard 4" square or octagon junction box

Listing & Warranty:

ETL Listed to US and Canadian standards for dry locations
5-Year Limited Warranty



Liteharbor Lighting Technology Co., Ltd.

New Industry Area Hecun Danzao Town

Nanhai Foshan City Guangdong China

TEL: +86-757-8180 8675

FAX: +86-757-8180 8685

E-mail: info@liteharbor.com

Website: www.liteharbor.com

Specifications subject to change w/o notice

Revision: Jan. 2015

OPTIONAL ACCESSORIES



K500
Global Adaptor
Finish: WH/BK



K600
Single/Two Circuit Live End
Finish: WH/BK



K601
Single /Two Circuit End Feed
Finish: WH/BK



K602
Single/Two Circuit Flexible Connector
Finish: WH/BK



K604
T-bar Attachment Clips For T-bar Drop Ceiling
Finish: WH/BK/SN



K605
Single/Two Circuit Floating Canopy
Finish: WH/BK



K606
Single/Two Circuit Live End With Box Cover
Finish: WH/BK



K607
Track End Cap
Finish: WH/BK



K608
Mini Coupling
Finish: WH/BK



K609
Single/Two Circuit T-Connector
Finish: WH/BK



K610
Single Circuit 90 °Connector
Finish: WH/BK



K611
Single/Two Circuit X-Connector
Finish: WH/BK



K612
Live End With Cord&Plug
Finish: WH/BK
Available in 2 wire,3 wire,4 wire



K5-3
Single Circuit/Two Circuit Track
Single circuit track is rated for 2400W
features 12-gauge copper conductors and

a separate ground conductor.
Two circuit track includes 12-gauge copper conductors and features a double load capacity at 4800W max.
Single/Two Circuit Track is available in white,black,and satin nickel finishes,and in 4,6,and 8-foot sizes,and can also be field cut to your preference.



Liteharbor Lighting Technology Co., Ltd.
New Industry Area Hecun Danzao Town
Nanhai Foshan City Guangdong China

TEL: +86-757-8180 8675
FAX: +86-757-8180 8685
E-mail: info@liteharbor.com

Website: www.liteharbor.com
Specifications subject to change w/o notice
Revision: Jan. 2015

