

LOW VOLTAGE LED TRACK LIGHT

Catalog #		Prepared by	LiteHarbor
Project		Date	
Notes			



LED TRACK LIGHT

Low-voltage Centralized Power Supply LED Track Light

Features

- Centrally powered driver 120V input to 42V low pressure output to track bar, then through a buck pcb at the light source becomes the output 36V power lamp beads. Low-voltage centralized power supply improves safety and reduces single lamp spare parts.
- The structure of the track lights is compact and the appearance is simple and generous.
- 15W per lamp, up to 9 lamp heads can be installed (8 foot track bar, others can be customized as required).
- The lighting has a wide range of adjustments, the horizontal adjustability is as high as 358 °, and the vertical tunability is up to 90 degrees. It provides good light output, high efficiency and energy saving, and can be suitable for various lighting places.
- Long life, low electromagnetic interference, low energy consumption, high performance and provides short circuit and over current protection.
- Dimming: Non-Dimming/TRIAC Dimming, compatible with a variety of silicon controlled dimming, dimming depth 5% without flicker.

Applications

Apply to automotive and parking, education, government, healthcare, hospitality, offices and banks, religious, retail.



Liteharbor Lighting Technology Co., Ltd.

New Industry Area Hecun Danzao Town
Nanhai Foshan City Guangdong China

TEL: +86-757-8180 8687

FAX: +86-757-8180 8685

E-mail: info@liteharbor.com

Website: www.liteharbor.com

Specifications subject to change w/o notice

Revision: May. 2018

Specifications

Radiator: Using cold forging radiator, fast heat dissipation, he patented structure of the heat dissipation module, integrated balanced conduction convection, radiation heat, to ensure long product life.

Lens: Professional optical grade PMMA lens, a variety of beam angles (narrow 10°, medium 20°, wide 30°) are available, and other beam angles are available.

Spraying: Environmental protection electrostatic powder coating surface treatment process, durable wear.

Parameter List

Watt	15W/lamp
Voltage	AC 120V
Frequency	50/60 Hz
PF	>0.9
Dimming	Non-Dimming/TRIAC Dimming
CRI	80+/90+
CCT	2700/3000/4000/5000/6000K

Listing / Warranty

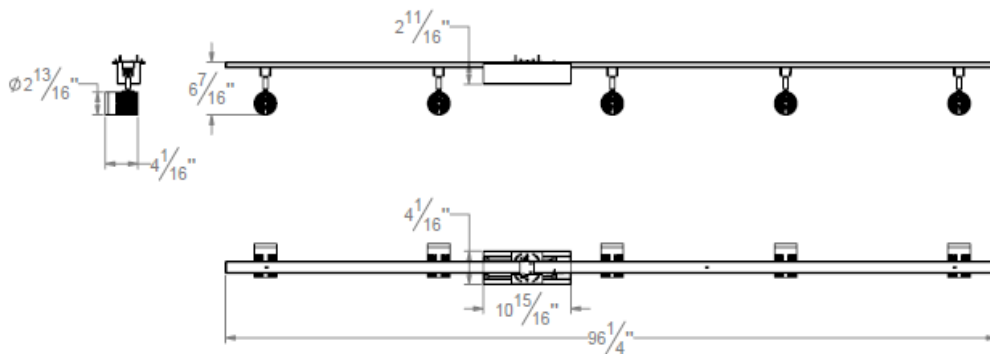
ETL listed to US and Canadian standards for damp location W/Feed through.

5 Year Limited Warranty.

Ordering Guide

Series	Lumen	CCT	CRI	Dimming
<input type="checkbox"/> K3023M	<input type="checkbox"/> 1120lm/lamp	<input type="checkbox"/> 2700K	<input type="checkbox"/> 80+	<input type="checkbox"/> Non-Dimming
Low-voltage Centralized Power		<input type="checkbox"/> 3000K	<input type="checkbox"/> 90+	<input type="checkbox"/> TRIAC Dimming
Supply LED Track Light		<input type="checkbox"/> 4000K		
		<input type="checkbox"/> 5000K		
		<input type="checkbox"/> 6000K		

Dimensions



Liteharbor Lighting Technology Co., Ltd.

New Industry Area Hecun Danzao Town

Nanhai Foshan City Guangdong China

TEL: +86-757-8180 8687

FAX: +86-757-8180 8685

E-mail: info@liteharbor.com

Website: www.liteharbor.com

Specifications subject to change w/o notice

Revision: May. 2018

