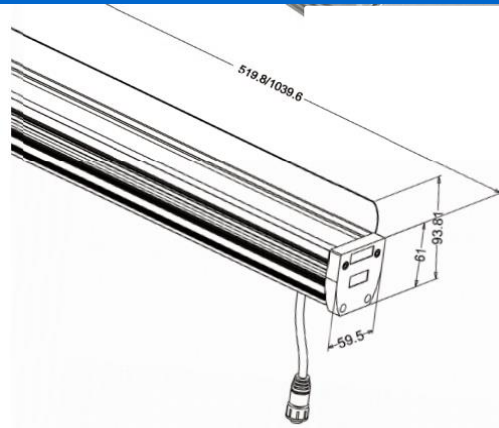


L0340 FLOOD LIGHT

Catalog #		Prepared by	LiteHarbor
Project		Date	
Notes			



Description

- 1) Housing is made of die-cast aluminum good heat dissipation
- 2) White, black, silver finish are available, other special finish
- 3) Special outdoor powder coating ensure good corrosion resistance
- 4) Input Voltage : 110V-256V AC
- 5) Operating Voltage 24V DC
- 6) IP65
- 7) Operating Temperature : -20 degree centigrade~ 40 degree centigrade

Features

Mainly used for decorating and highlighting in building frame, garden, etc, can work in independent mode and DMX mode
 Generate various color changing effects
 DMX256 class gray degree dimmer
 DMX programmable
 Easy installation

Working Mode

Independent Mode
 DMX Mode
 Master/Slave Mode.

Function

Flashing
 9 Level Brightness

Order Matrix

A B C D E F

Item No.L0340

A	Series
L0340	Flood Light

B	Material & Finish
BK	Aluminum/black
WH	Aluminum/white
SV	Aluminum/Silver

C	Input
	120V
277	277V
U	120-277V

D	Body Length
0.5M	0.5M
1M	1M



Liteharbor Lighting Technology Co., Ltd.
 New Industry Area Hecun Danzao Town
 Nanhai Foshan City Guangdong China

TEL: +86-757-8180 8675
 FAX: +86-757-8180 8685
 E-mail: info@liteharbor.com

Website: www.liteharbor.com
 Specifications subject to change w/o notice
 Revision: Jan. 2015



FLOOD LIGHT

Fading

Control Mode

Independent mode

choose the effects that you need by button on the back of lighting

DMX mode

International standard DMX512 signal control
(3XLR or standard 5XLR)

Master/Slave Mode

Safety Instruction

- 1) Electronic boxes must water, dust resistant
- 2) Check the electronic wires carefully before installation
- 3) When drilling holes not available do not use glue to secure the fixture, please set in a special metal fixture or board instead
- 4) Do not install the fixture near to the place where it is combustible and explosive

LEDs

Quantity of LED 18/36pcs

Color Temperature:2700-6000k

Wattage Output:18/36/72W

Other Special Requirements Please Confirm with Factory

E	Color of Light
RD	RED
GN	GREEN
YE	YELLOW
BU	BLUE
PR	PURPLE
RGB	RGB

F	Color Temperature
28K	2800k
35K	3500K
50K	5000K
60K	6000K



Liteharbor Lighting Technology Co., Ltd.

New Industry Area Hecun Danzao Town
Nanhai Foshan City Guangdong China

TEL: +86-757-8180 8675

FAX: +86-757-8180 8685

E-mail: info@liteharbor.com

Website: www.liteharbor.com

Specifications subject to change w/o notice

Revision: Jan. 2015