



Liteharbor®
Lighting Technology

DG5705 LED SECURITY LIGHT

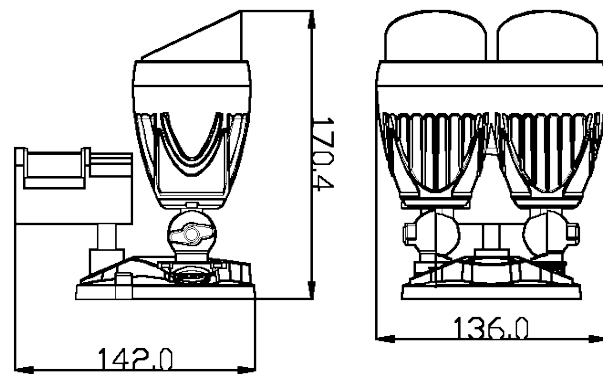
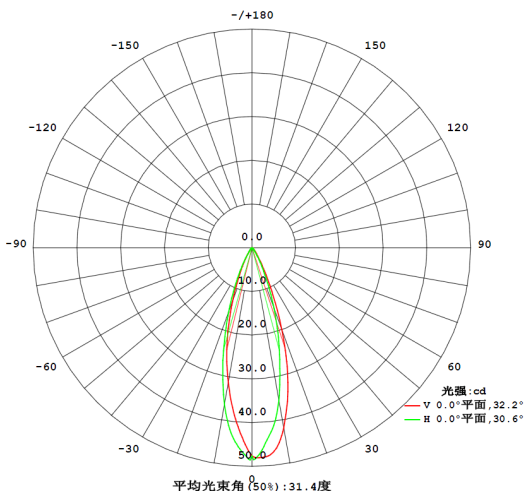


DESCRIPTION

- Simple appearance.
- Light source, electrical separation design, easy installation and maintenance.
- Three parts fission structure, adapt to different power.
- Reasonable heat dissipation design, ensure lamps lifetim
- Part of the light distribution is a professional optical design
- Tere are two options for lenses and reflectors, light distributionangle can also have a variety of options.
- A variety of color temperature is adjustable.
- Protection against electric shock: Class I
- Protection class is above IP65 for indoor and outdoor lighting.

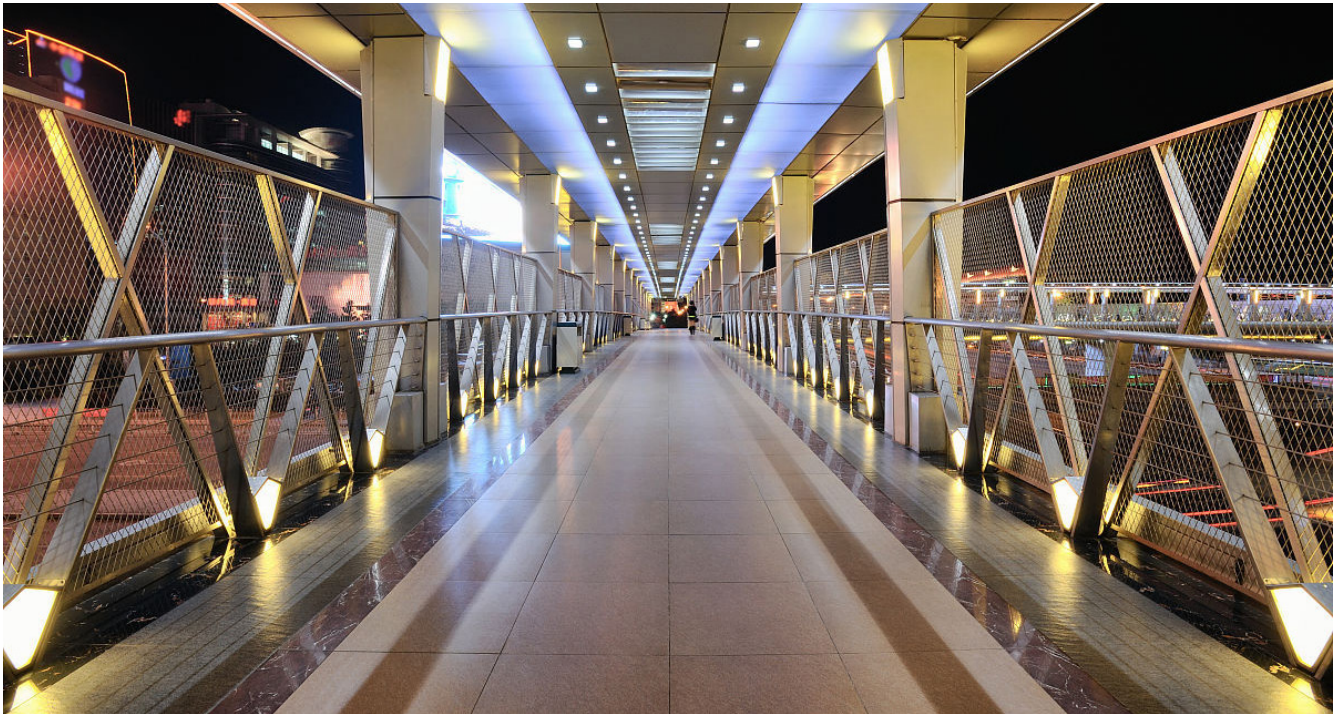
LIGHT DISTRIBUTION CURVE:

DIMENSION: L:170mm×W:136mm×H:142mm



OTHER SPECIAL REQUIREMENTS PLEASE CONFIRM WITH FACTORY





APPLICATION

- Suitable for lighting and decorative lighting of hospitals, schools, shopping malls and office buildings.

ORDERING GUIDE

Model	Input Voltage	Light Source	System Power	Luminous Efficiency	Luminous Flux	PF	IP Rating
DG5705	AC100-277V	10W×2	20W	>80lm/W	1600lm	> 0.95	IP65

OTHER PARAMETERS

Ambient temperature	-30 --50°C
Working Temperature	RH10%-90%
CCT	3000K-6000K
CRI	Ra>75-95
Lifetime	>50000h
Frequency Range	50-60Hz
Total Harmonic Distortion	< 15%
Electric-shock safeguard	CIASS I



📍 New Industry Area, Hecun, Danzao Town, Nanhai, Foshan City, China

☎ 0757-8180-8675

🌐 www.liteharbor.com

✉ info@liteharbor.com