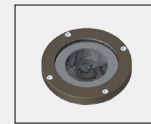
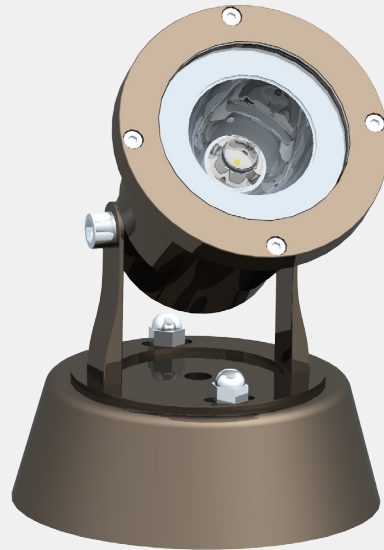




DG5204

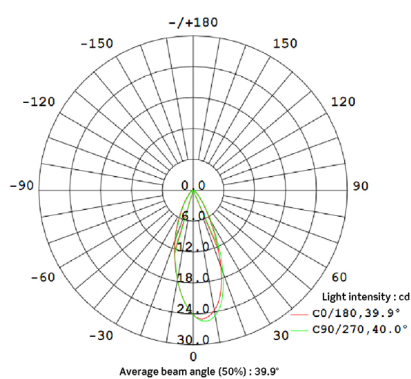
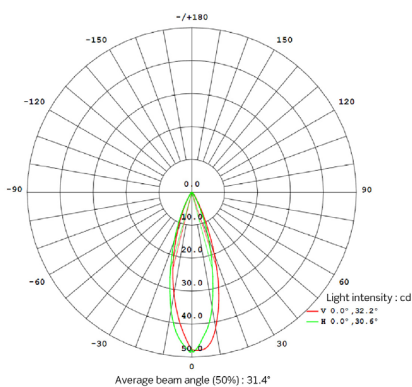
Flood Light Series



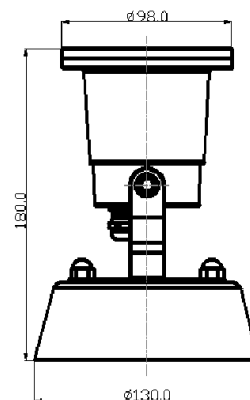
DESCRIPTION

- The smooth linear and the LED structure characteristic organic combination, simple appearance.
- Light source and electrical separate design, easy for installation and maintenance.
- 180° rotational structure, meets the needs of different application.
- Brass material, vintage surface finishing.
- Three parts fission structure, adapt to different power.
- Reasonable heat dissipation design, ensure the service life.
- Professional optical design with efficient optical lens light distribution, with variety of light distribution options.
- Lighting structure, electrical safety compliance with EN60598 GB7000 standard requirements.
- Electric shock protection: Class I
- IP rating: IP65

LIGHT DISTRIBUTION CURVE:

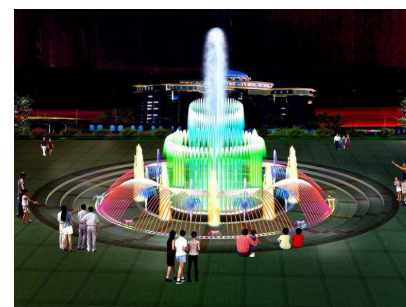


DIMENSION:



OTHER SPECIAL REQUIREMENTS PLEASE CONFIRM WITH FACTORY





APPLICATION:

Factories,Stadiums,Docks,Billboards,Build ings,Lawns,Gardening design some other places where need flood lighting and lights decoration.

ORDERING GUIDE

Model	Input Voltage	Light Source	Power	Luminous Efficiency	Optional light	LED Luminous Flux	IP Rating
DG5204	AC100-277V	1PCS(5050)	6W	>110lm/W	30/40	6600lm	IP65
DG5204A	AC100-277V	1PCS(5050)	3W	>120lm/W	30/40	6000lm	IP65
DG5204B	AC100-277V	1PCS(5050)	10W	>120lm/W	30/40	4800lm	IP65
DG5204C	AC100-277V	1PCS(COB)	15W	>110lm/W	30/40	3300lm	IP65
DG5204D	AC100-277V	6PCS-RGB	3W	-	30/40	-	IP65
DG5204E	AC100-277V	12PCS-RGB	6W	-	30/40	-	IP65

OTHER PARAMETERS

Ambient temperature	-30 --50°C
Working Temperature	RH10%-90%
CCT	Warm White 2850K-3200K Neutral White 3700K-4200K Pure White 4700K-5300K RGB
CRI	Ra>75-95
IP Rating	IP65
Lifetime	>50000h
Installation	Pendant mounting
Electric-shock safeguard	CIASS I



📍 New Industry Area, Hecun, Danzao Town, Nanhai, Foshan City, China

☎ 0757-8180-8675

🌐 www.liteharbor.com

✉ info@liteharbor.com