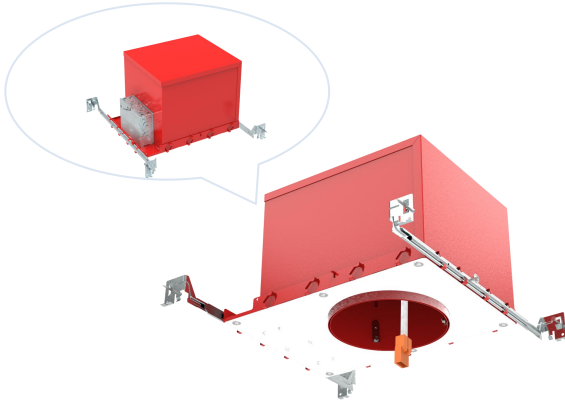


A6-IA-F Fire Rated 6" Recessed IC Housing

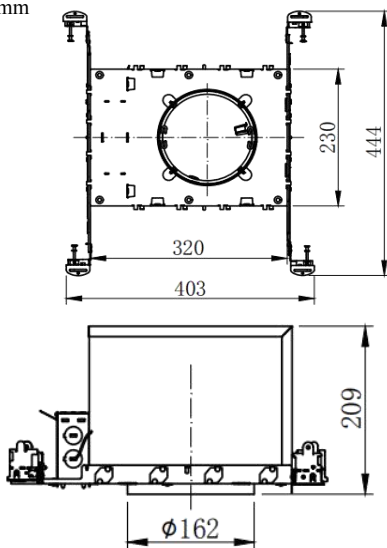
Catalog #		Prepared by	
Project		Date	
Notes			



A6-IA-F

Dimensions

Unit:mm



3 Year Limited Warranty



ETL Certificate



Damp Location



Airtight



IC Rated



2 hour fire rated

2 HOURS FIRE RATED&AIRTIGHT FIRE RATED 6" RECESSED IC HOUSING

Feature

- 2 Hour Fire Resistance to meet and exceed strict fire safety codes.
- Rated for direct contact with IC insulation.
- E26 Edison base socket Or LED quick connector provided.
- UL Certificates ASTM E283 certified Air Tight.
- Type IC rated for direct contact with insulation; Type non-IC insulation should be kept minimum 3" away from all sides of fixture.

Junction Box:

Pre-wired #21 gauge galvanized steel junction box with (7) 1/2" knockouts and (4) Romex® knockouts and removable plates.

Housing:

Die formed #21 gauge galvanized steel construction, Up to 120 minutes fire rated L500 (floor-ceiling) & P500 (roof-ceiling) design.

Hanger Bars:

Pre-installed #21 gauge adjustable bar hangers (14"-24") for wood joist or t-bar ceiling installations.

Installation:

Pre Installed hanger bars with True Nail easy installation in regular lumber, engineered lumber, and Laminated Beams. Integral T-bar slots for easy installation in T-Bars. Spans up 24" and can be repositioned 90°. Score lines allow for tool-free hanger bar size reduction. Integral leveling flange allows for single-person installation while easily aligning the housings with the joists.

Applications

Apply to automotive and parking, education, government, healthcare, hospitality, offices and banks, religious, retail. Especially in areas with limited ventilation, such as closets and utility rooms.

Listing / Warranty

UL listed to US and Canadian standards for damp location W/Feed through. IC rated, Airtight ASTM-E283 Certified, UL 263 certificated up to 2 hour fire rated. 3 Year Limited Warranty.

*Other special requirements please confirm with our factory.



Liteharbor Lighting Technology Co., Ltd.

New Industry Area Hecun Danzao Town
Nanhai Foshan City Guangdong China

TEL: +86-757-8180 8687

FAX: +86-757-8180 8685

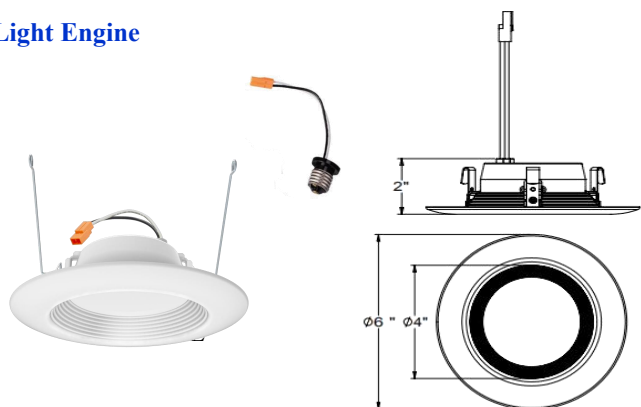
E-mail: info@liteharbor.com

Website: www.liteharbor.com

Specifications subject to change w/o notice

Revision: Jan. 2021

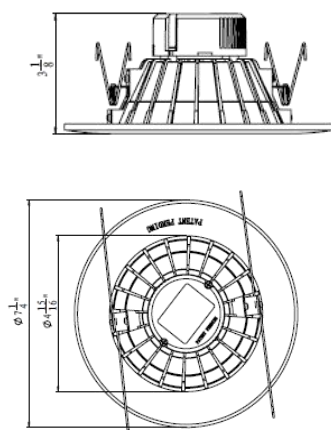
Light Engine



BL6-001-E Serie	Input Voltage	Wattage
5"6"Recessed Disk Light	120V 60Hz AC	14W
Color Temperature	Lumen Output	CRI
3000K/4000K/5000K	950LM	80+/90+
Applications	Dimmable	
Dry /Damp locations	Triac Dimmable	
LED Available	Finish	
Cree/Citizen/Epistar	White/Black	



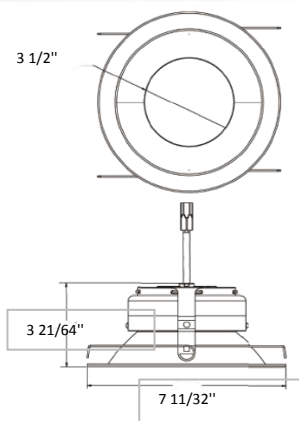
BL6-001



BL6-001 Serie	Input Voltage	Wattage
5"6"Recessed Retrofit Light	120V 60Hz AC	15W
Color Temperature	Lumen Output	CRI
3000K/4000K/5000K	1100LM	80+/90+
Applications	Dimmable	
Dry /Damp locations	Triac Dimmable	
LED Available	Finish	
Cree/Citizen/Epistar	White/Black	



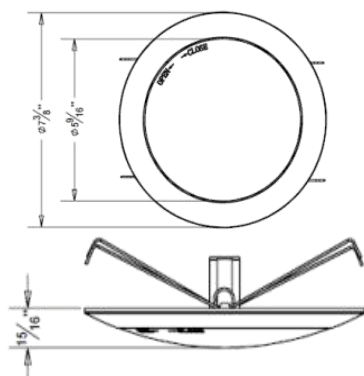
BRL6-002-SF



BRL6-002-SF Serie	Input Voltage	Wattage
6"Round LED Retrofit Light	120V 60Hz AC	14W
Color Temperature	Lumen Output	CRI
3000K/4000K/5000K	950lm	80+/90+
Application	Dimmable	
Dry /Damp locations	Triac Dimmable	
LED Available	Finish	
Cree/Citizen/Epistar	White/Black	



BL6-003



BL6-003 Serie	Input Voltage	Wattage
6" Square LED Ceiling Light	120V 60Hz AC	15W
Color Temperature	Lumen Output	CRI
3000K/4000K/5000K	1076lm	80+/90+
Applications	Dimmable	
Dry /Damp locations	Triac Dimmable	
LED Available	Finish	
Cree/Citizen/Epistar	White/Black	

*Other special requirements please confirm with our factory



Liteharbor Lighting Technology Co., Ltd.

New Industry Area Hecun Danzao Town
Nanhai Foshan City Guangdong China

TEL: +86-757-8180 8687

FAX: +86-757-8180 8685

E-mail: info@liteharbor.com

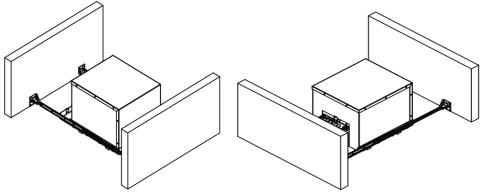
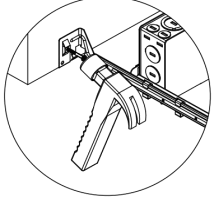
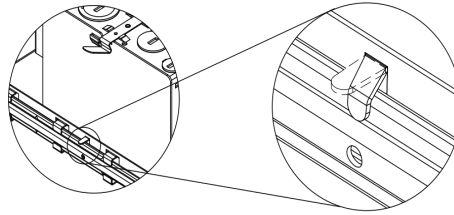
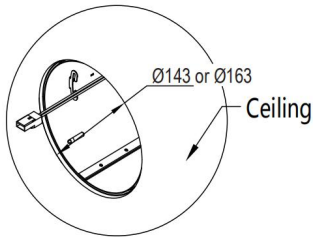
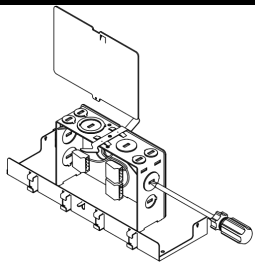
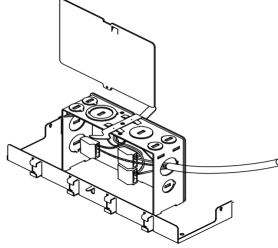
Website: www.liteharbor.com

Specifications subject to change w/o notice

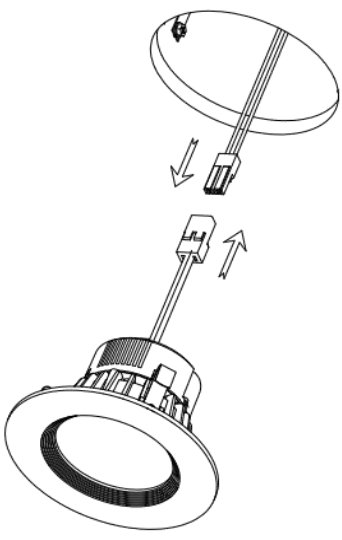
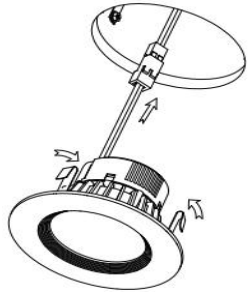
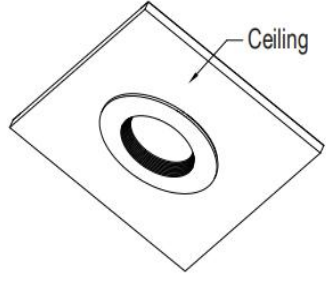
Revision: Jan. 2021

Installation Instructions

Fire Rated 4" Recessed IC Housing Installation Instruction

 <p>1. The housings are designed for direct contact with insulating materials which are approved for this application or may also be used in noninsulated ceilings. Extend bar hangers to fit between joists. Bar hanger foot is contoured to easily align with bottom of joist.</p>	 <p>2. Fix the Hanger Bar to Wood Joist with Rivet (Note: Bar hanger may be shortened to fit 12" framing or smaller by breaking at score lines)</p>	 <p>3. Slide fixture along bar hangers into desired location. Use locking screws or slot to secure.</p>
 <p>4. Ceiling opening Ø143mm(5") or Ø163mm(6") hole.</p>	 <p>5. Remove wiring box cover. Remove the appropriate knock-out(s) to accommodate the type of electrical supply being used.</p>	 <p>6. Insert cable into the knock-out opening and push the required cable length into the wiring box, the cable will be trapped. Make connection, Connect white(neutral wire) to white; black(live wire) to black, green(ground wire) to green.</p>

Downlight Installation Instruction

 <p>1. Insert the male connector from the fire rated housing into the female connector of the fixture.</p>	 <p>2. Press the spring of the retrofit kit together and insert them inside the housing securely.</p>
 <p>3. Arrange the wires and push the fixture inside the housing can for secured installation.</p>	

*Other special requirements please confirm with our factory



Liteharbor Lighting Technology Co., Ltd.

New Industry Area Hecun Danzao Town
Nanhai Foshan City Guangdong China

TEL: +86-757-8180 8687

FAX: +86-757-8180 8685

E-mail: info@liteharbor.com

Website: www.liteharbor.com

Specifications subject to change w/o notice

Revision: Jan. 2021