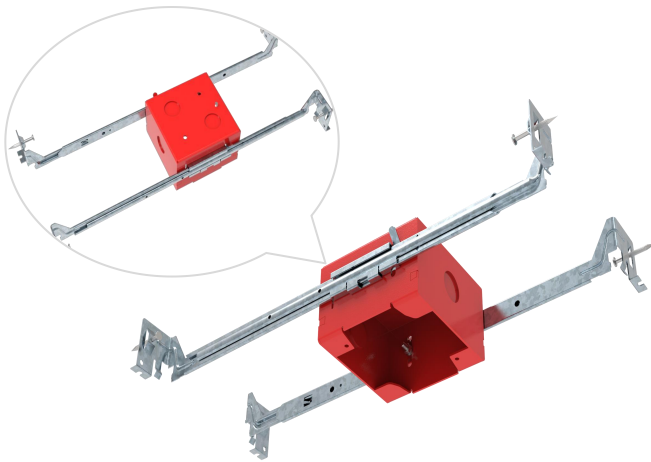


FJ-BOX-S

Square Junction Box

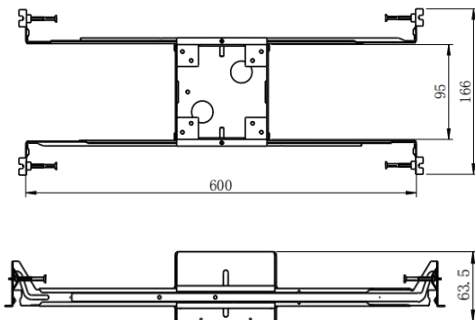
Catalog #		Prepared by	
Project		Date	
Notes			



FJ-BOX-S

Dimensions

Unit:mm



Ceiling opening 96×96mm hole.



3 Year Limited Warranty



ETL Certificate



Damp Location



Airtight



IC Rated



2 hour fire rated

2 HOURS FIRE RATED & AIRTIGHT SQUARE JUNCTION BOX

Feature

- 2 Hour Fire Resistance to meet and exceed strict fire safety codes.
- Rated for direct contact with IC insulation.
- ETL Certificates ASTM E283 certified Air Tight.

Applications

Apply to automotive and parking, education, government, healthcare, hospitality, offices and banks, religious, retail. Especially in areas with limited ventilation, such as closets and utility rooms.

Housing:

Die formed #16 gauge galvanized steel construction, Up to 120 minutes fire rated L500 (floor-ceiling) & P500 (roof-ceiling) design.

Hanger Bars:

Pre-installed #21 gauge adjustable bar hangers (14"-24") for wood joist or t-bar ceiling installations.

Installation:

Pre Installed hanger bars with True Nail easy installation in regular lumber, engineered lumber, and Laminated Beams. Integral T-bar slots for easy installation in T-Bars. Spans up 24" and can be repositioned 90°. Score lines allow for tool-free hanger bar size reduction. Integral leveling flange allows for single-person installation while easily aligning the housings with the joists.

Listing / Warranty

ETL listed to US and Canadian standards for damp location W/Feed through. IC rated, Airtight ASTM-E283 Certified, UL 263 certificated up to 2 hour fire rated. 3 Year Limited Warranty.

*Other special requirements please confirm with our factory.



Liteharbor Lighting Technology Co., Ltd.

New Industry Area Hecun Danzao Town
Nanhai Foshan City Guangdong China

TEL: +86-757-8180 8687

FAX: +86-757-8180 8685

E-mail: info@liteharbor.com

Website: www.liteharbor.com

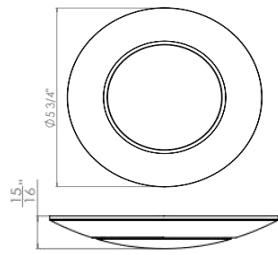
Specifications subject to change w/o notice

Revision: Jan. 2021

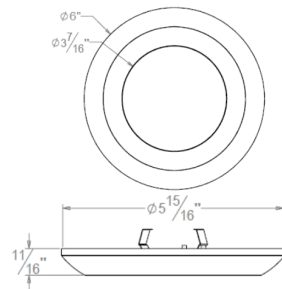
Light Engine



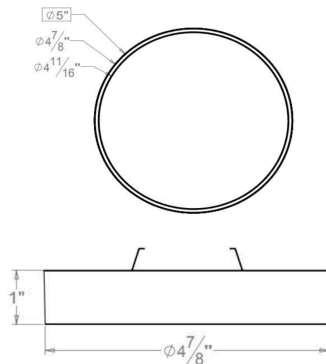
BL4-003



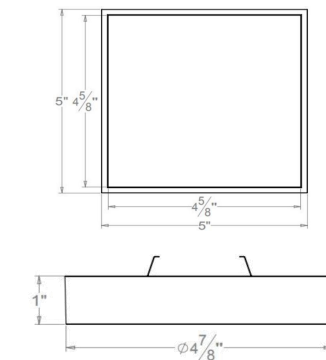
BL4-003-2



BL4-FM55-TL



BL4-SFM55-TL



BL4-003 Serie	Input Voltage	Wattage
4"/6" Recessed Disk Light	120V 60Hz AC	12W/14W
Color Temperature	Lumen Output	CRI
3000K/4000K/5000K	850LM./1076 LM	80+/90+
Applications	Dimmable	
Dry /Damp locations	Triac Dimmable	
LED Available	Finish	
Cree/Citizen/Epistar	White/Black	

BL4-003-2 Serie	Input Voltage	Wattage
4"/6" Recessed Disk Light	120V 60Hz AC	10W/15W
Color Temperature	Lumen Output	CRI
3000K/4000K/5000K	550LM/900LM	80+/90+
Applications	Dimmable	
Dry /Damp locations	Triac Dimmable	
LED Available	Finish	
Cree/Citizen/Epistar	White/Black	

BL4-FM55-TL Serie	Input Voltage	Wattage
5" Round LED Ceiling Light	120V 60Hz AC	8W/10W/12W
Color Temperature	Lumen Output	CRI
3000K/4000K/5000K	640/800/1000lm	80+/90+
Application	Dimmable	
Dry /Damp locations	Triac Dimmable	
LED Available	Finish	
Cree/Citizen/Epistar	White/Black	

BL4-SFM55-TL Serie	Input Voltage	Wattage
5" Square LED Ceiling Light	120V 60Hz AC	8W/10W/12W
Color Temperature	Lumen Output	CRI
3000K/4000K/5000K	640/800/1000lm	80+/90+
Applications	Dimmable	
Dry /Damp locations	Triac Dimmable	
LED Available	Finish	
Cree/Citizen/Epistar	White/Black	

*Other special requirements please confirm with our factory



Liteharbor Lighting Technology Co., Ltd.

New Industry Area Hecun Danzao Town
Nanhai Foshan City Guangdong China

TEL: +86-757-8180 8687

FAX: +86-757-8180 8685

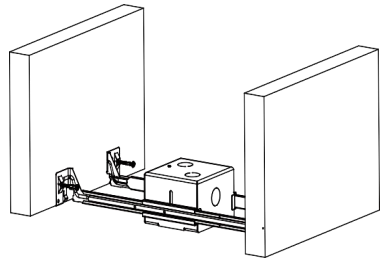
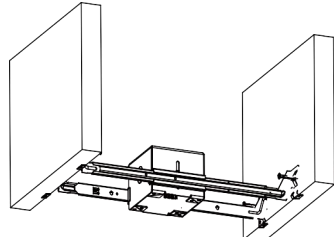
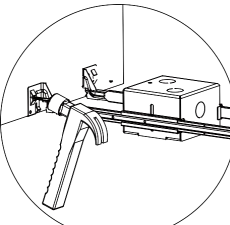
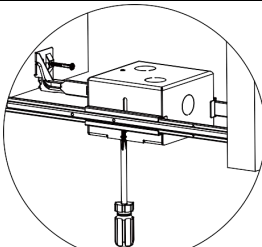
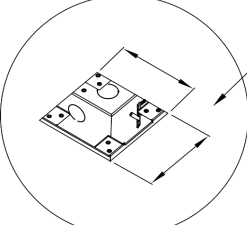
E-mail: info@liteharbor.com

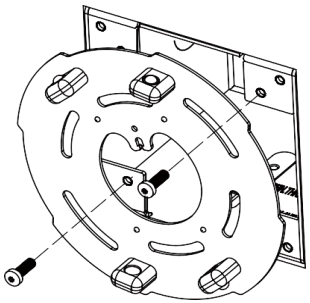
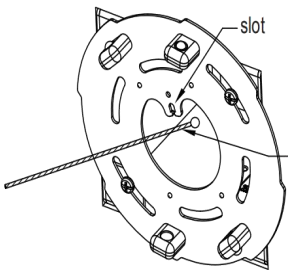
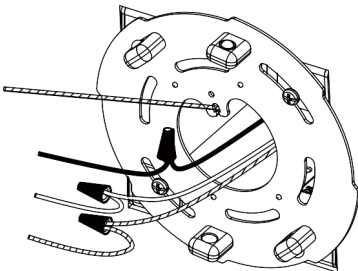
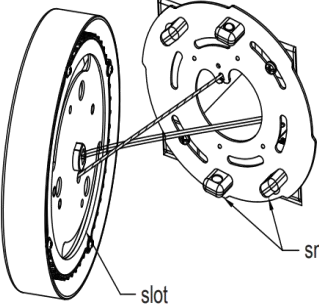
Website: www.liteharbor.com

Specifications subject to change w/o notice

Revision: Jan. 2021

Installation Instructions

<p>Fire Rated Junction Box Installation Instruction</p>		
		 <p>Ceiling</p>
<p>2. Fix the Hanger Bar to Wood Joist with Rivet.</p>	<p>3. Moving the channels make the junction box to the properly place , then fix channel with screws.</p>	<p>4. Ceiling opening 96×96mm hole.</p>

<p>Downlight Installation Instruction</p>	 <p>1. To secure installation bracket of fixture to square housing with screws.</p>	 <p>2. When ready to make the wire connections, first install the Safety Installation Cable from light fixture by pushing into the "key hole" in bracket.</p>
 <p>3. Make the wire connections with wire nuts . The green(ground wire) of housing to green of fixture, Connect white(neutral wire) to white; black(live wire) to black.</p>	 <p>4. Push and feed all wires up into Junction Box as you raise the fixture up into place with right channel.</p>	

*Other special requirements please confirm with our factory



Liteharbor Lighting Technology Co., Ltd.

New Industry Area Hecun Danzao Town
Nanhai Foshan City Guangdong China

TEL: +86-757-8180 8687

FAX: +86-757-8180 8685

E-mail: info@liteharbor.com

Website: www.liteharbor.com

Specifications subject to change w/o notice

Revision: Jan. 2021