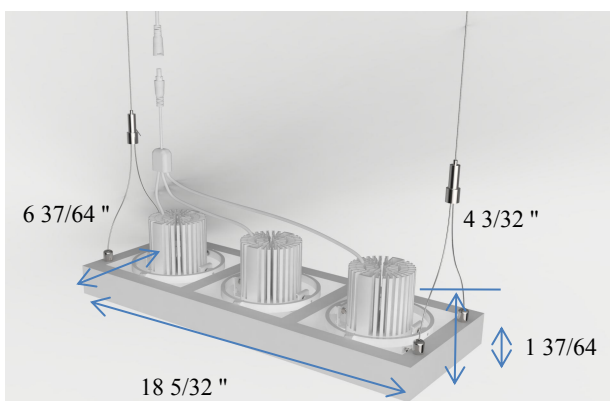


3CCT LED Multiple Pendant Spot Light

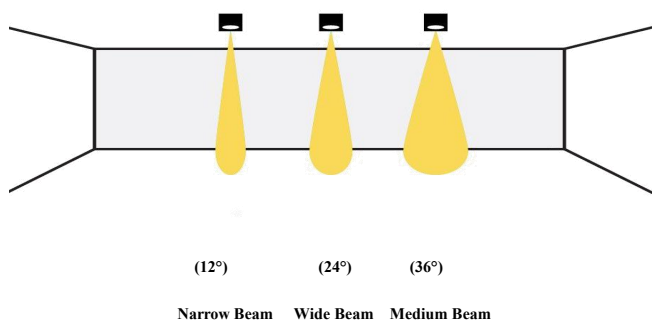
Catalog #	Prepared by	LiteHarbor
Project	Date	
Notes		



DIMENSIONS



BEAM ANGLES



PERFORMANCE FOCUS

Series	Energy (W)	Light (lm)	Efficacy (lm/W)
G4011-B-P	1*25W	2000	80
G4012-B-P	2*25W	4000	80
G4013-B-P	3*25W	6000	80
G4014-B-P	4*25W	8000	80
G4014-B-P-S	4*25W	8000	80
G4015-B-P	5*25W	10000	80
G4016-B-P	6*25W	12000	80
G4016-B-P-R	6*25W	12000	80

DESCRIPTION

LED Multiple Pendant Spots for remodeling and new construction applications for residential and commercial environments. The Multiple Spots are marketed as complete units. Single to six head units available, four and six head unit is available in two and three configurations: rectilinear or two-by-two square and three-by-three rectangle. Each spot is individually adjustable and provides a 30 degree visual cutoff for glare control and 3CCT Switch.

FEATURES

- Individually adjustable luminaries
- Preinstalled with the pendant adaptor for quick installation. The cable can be adjusted at time of installation to suit your requirements.
- Adjustability 30° vertical tilt.
- 80 and 90 CRI LEDs are available in three CCTs.
- ELV and 0-10V dimming options.
- The power supply uses high voltage solution, high power factor.
- Lamp heads feature a constant tension design for tilt and rotation adjustability.



5 Year Limited Warranty



ETL Certificate



Dimming



3CCT Colour Changing



Universal Voltage



LED CRI

*Other special requirements please contact with our sales.

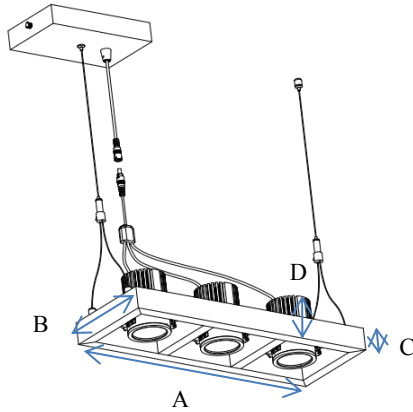


Liteharbor Lighting Technology Co., Ltd.
 New Industry Area Hecun Danzao Town
 Nanhai Foshan City Guangdong China

TEL: +86-757-8180 8675
 FAX: +86-757-8180 8685
 E-mail: info@liteharbor.com

Website: www.liteharbor.com
 Specifications subject to change w/o notice
 Revision: Sep. 2021

DIMENSIONS



Model	Frame Overall			Fixture
	Length	Width	Height	Height
	A	B	C	D
G4011-B-P	6 37/64 " (167)	6 37/64 " (167)	1 37/64 " (40)	4 3/32 " (104)
G4012-B-P	12 23/64 " (314)	6 37/64 " (167)	1 37/64 " (40)	4 3/32 " (104)
G4013-B-P	18 5/32 " (461)	6 37/64 " (167)	1 37/64 " (40)	4 3/32 " (104)
G4014-B-P	23 15/16 " (608)	6 37/64 " (167)	1 37/64 " (40)	4 3/32 " (104)
G4014-S-40	12 23/64 " (314)	12 23/64 " (314)	1 37/64 " (40)	4 3/32 " (104)

SPECIFICATIONS

Item	G401X-B-P
Input Voltage	AC 120-277V 50/60Hz
Luminous Efficiency	80 LM/W
Lumens	2000lm/Lamp
Color Temperature	2700-6500K
Material	Aluminum
Power Factor	> 0.98
Rated Power	25W/Lamp
Dimming*	Triac Dimming/0-10V Dimming
Lamp	COB
Color Temperature	2700-6500K/3CCT
Finish	Black , White and Gray powder coat
General Listing	ETL listed.

*Other special requirements please contact with our sales.

LISTING / WARRANTY

cETLus listed for damp location and feed through wiring.
5 Year Limited Warranty.

CONSTRUCTION

High efficiency cold forged aluminum heat sink.
The frame are constructed of 22mm gauge steel square pole.

MOUNTING

Simple pendant installation with stainless steel aircraft cable.
The standard aircraft cable is 40" or custom length.

ELECTRICAL

Driver: Universal (120V - 277V) or 120V input only

Light Source: High output LED (The whole light)

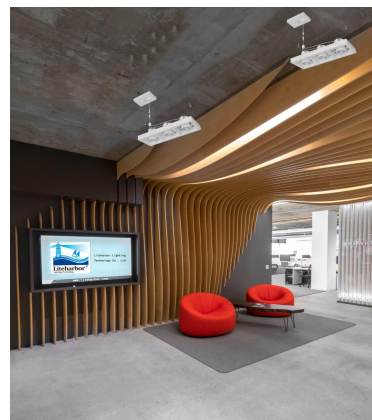
Dimming: 0-10V or ELV (see list of housings below)

OPTICS

- 12° Spot, 24° Narrow Flood, and 36° Flood
- Up to 30° Vertical Adjustment
- Can change the lens color for different applications.

LED LIGHT ENGINE

- 2700K, 3000K, 4000K, 5000K and 6500K, 80CRI/90CRI Option
- Type A - 3CCT, provides 3000K-4000K-5000K option
- Type B - 3CCT, provides 2700K-3000K-3500K option
- LED mounted to high efficiency cold forged aluminum heat sink.
- Rated life of 50,000 hours.



Liteharbor Lighting Technology Co., Ltd.

New Industry Area Hecun Danzao Town
Nanhai Foshan City Guangdong China

TEL: +86-757-8180 8675

FAX: +86-757-8180 8685

E-mail: info@liteharbor.com

Website: www.liteharbor.com

Specifications subject to change w/o notice

Revision: Sep. 2021



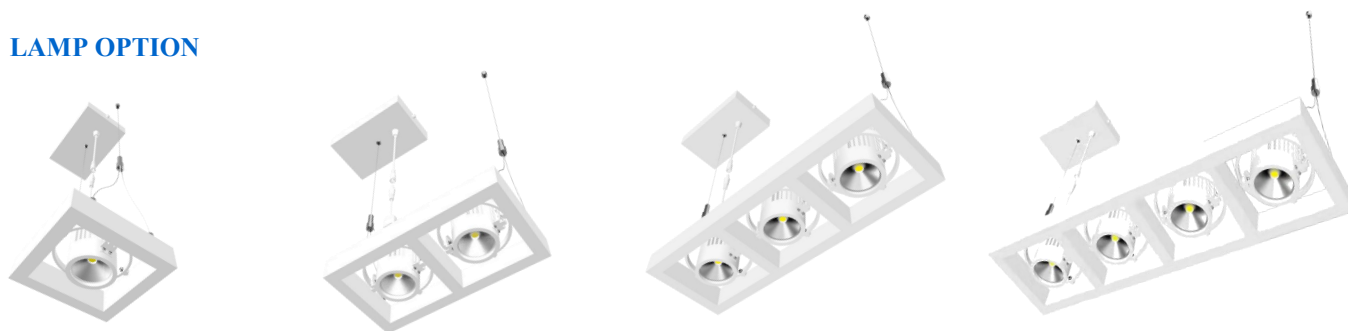
ORDER GUIDE

1 Family Version	2 Energy (W)	3 Optics	4 CRI
<input type="checkbox"/> G4011-B-P	<input type="checkbox"/> 1*25W	<input type="checkbox"/> 12° Narrow Beam	<input type="checkbox"/> 80 80 CRI
<input type="checkbox"/> G4012-B-P	<input type="checkbox"/> 2*25W	<input type="checkbox"/> 24° Wide Beam	<input type="checkbox"/> 90 90 CRI
<input type="checkbox"/> G4013-B-P	<input type="checkbox"/> 3*25W	<input type="checkbox"/> 36° Medium Beam	
<input type="checkbox"/> G4014-B-P	<input type="checkbox"/> 4*25W		
<input type="checkbox"/> G4014-B-P-S	<input type="checkbox"/> 4*25W		
<input type="checkbox"/> G4015-B-P	<input type="checkbox"/> 5*25W		
<input type="checkbox"/> G4016-B-P	<input type="checkbox"/> 6*25W		
<input type="checkbox"/> G4016-B-P-R	<input type="checkbox"/> 6*25W		

5 Voltage	6 Finish	7 Lumens	8 Ceiling Mounting
<input type="checkbox"/> 120 120 V	<input type="checkbox"/> BK Black	<input type="checkbox"/> 2000 lm	<input type="checkbox"/> 10000 lm
<input type="checkbox"/> 277 277 V	<input type="checkbox"/> WH White	<input type="checkbox"/> 4000 lm	<input type="checkbox"/> 12000 lm
<input type="checkbox"/> U 120 V-277 V	<input type="checkbox"/> GY Gray	<input type="checkbox"/> 6000 lm	<input type="checkbox"/> Drywall+Cable length(40" STD)
		<input type="checkbox"/> 8000 lm	<input type="checkbox"/> Drywall+Cable length(Customize)

9 COLOR TEMPERATURE	10 DIMMABLE
<input type="checkbox"/> 27 2700K	<input type="checkbox"/> (A) 3CCT 3000K-4000K-5000K
<input type="checkbox"/> 30 3000K	<input type="checkbox"/> (B) 3CCT 2700K-3000K-3500K
<input type="checkbox"/> 35 3500K	<input type="checkbox"/> Non-Dim
<input type="checkbox"/> 40 4000K	<input type="checkbox"/> Triac Dim available in 120V only
<input type="checkbox"/> 50 5000K	<input type="checkbox"/> ELV Dim available in 120V only
<input type="checkbox"/> 65 6500K	<input type="checkbox"/> 0-10 V Dim 120-277 V

LAMP OPTION



G4011-B-P

G4012-B-P

G4013-B-P

G4014-B-P

*Other special requirements please contact with our sales.



Liteharbor Lighting Technology Co., Ltd.

New Industry Area Hecun Danzao Town
Nanhai Foshan City Guangdong China

TEL: +86-757-8180 8675

FAX: +86-757-8180 8685

E-mail: info@liteharbor.com

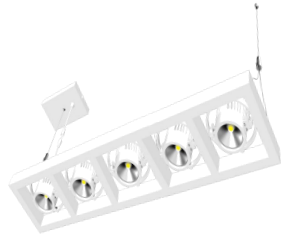
Website: www.liteharbor.com

Specifications subject to change w/o notice

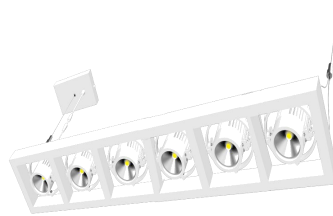
Revision: Sep. 2021



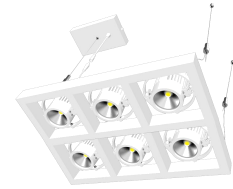
G4014-B-P-S



G4015-B-P



G4016-B-P



G4016-B-P-R

PRODUCT DETAILS



LED DOWNLIGHT

LED Driver and 3CCT Switch

The cover separates the driver and connecting wire from the light source.
3CCT switch for easy to choose your color temperature.



Quick Connector

UL listed led quick connector, invisible wire design to ensure the electrical safety.

Adjustability 30° vertical tilt



Thermally Efficient Heat Sink

LED mounted to high efficiency cold forged aluminum heat sink with active cooling, these heatsinks are designed to dissipate heat well below the recommended operating junction temperature.



LED

COB chips can be changed (Chip Brand,CCT,CRI)

Reflector Optic



12° 24° 36°

Lens

Can change the lens color for different applications.



Optic Bezel

Can change the louver to filtering the light, avoid glare.

*Other special requirements please contact with our sales.



Liteharbor Lighting Technology Co., Ltd.

New Industry Area Hecun Danzao Town
Nanhai Foshan City Guangdong China

TEL: +86-757-8180 8675

FAX: +86-757-8180 8685

E-mail: info@liteharbor.com

Website: www.liteharbor.com

Specifications subject to change w/o notice

Revision: Sep. 2021