

MR-025-2035 DIAMOND MIRROR

Catalog #		Prepared by LiteHarbor	
Project		Date	
Notes			



MR-028-2436

FEATURES

- Touch sensor system for led light, demister, bluetooth.
- Materials: Aluminium back frame.
- Wall mounted with L bracket and self adhesive pads.
- Built in anti-fogging with touch button on/off.
- Single touch button on the front, press once for backlight, press twice for Defogger, press 3 times for off.
- Easily Adjust Precisely To The Perfect Lighting With The Touch Dimmer.
- Pre Attached Hardware On Back Enables You The Option To Wall or Base Mount.
- Additional Safety Coating Produces A More Perfect Reflection, Prevents Oxidization & Prevents Glass From Scattering If The Mirror Is Broken.

LISTING / WARRANTY

- cETLus listed for damp location and feed through wiring.
- 5 Year Limited Warranty.

FUNCTION SELECTION

-  Product passed IP44 waterproof rated and it can be used in bathroom environment.
-  Fitted USB port for phone recharging.
-  Latest touching controls technology to turn the light on or off.
-  Play music or listen to internet radio from your smart phone or other Bluetooth devices.
-  Heat the mirror to a few degrees above room temperature to keep the mirror from fogging.
-  Dimmable lighting lets you select the ideal brightness for any task.

DESCRIPTION

- State-of-the-art, Exclusive bulbless design. The built-in long-lasting energy-efficient Daylight LED Modules. Glass undergoes a special process with a silver coated backing, resulting in a crystal clear reflection.
- The Latest In 5000k Daylight LED Modules, Spread Bright Even Lighting, all while reducing shadows.



MIRROR LIGHT



*Other special requirements please contact with our sales.



Liteharbor Lighting Technology Co., L
New Industry Area Hecun Danzao Town
Nanhai Foshan City Guangdong China

TEL: +86-757-8180 8675
FAX: +86-757-8180 8685
E-mail: info@liteharbor.com

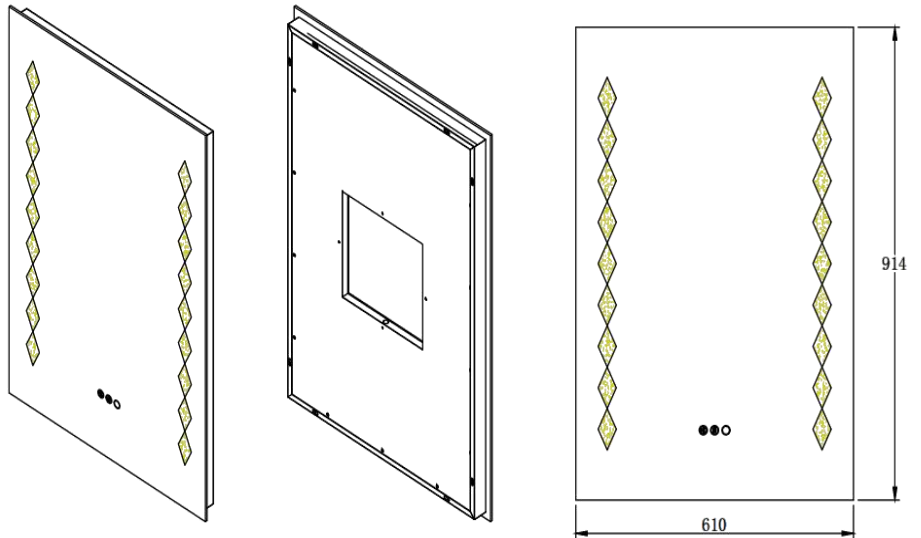
Website: www.liteharbor.com
Specifications subject to change w/o notice
Revision: Oct. 2021

DIMENSIONS

H. mm W. mm D. mm

914x610x40 mm

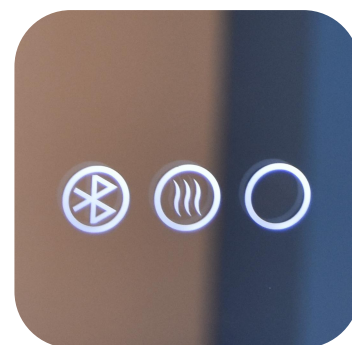
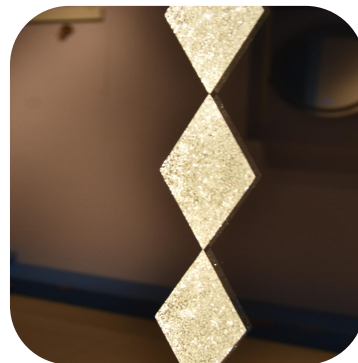
*Other sizes can be customized



DETAILS			
Item No.	MR-028-2035	Original Lumens efficiency	100lm/w
Shape	Runway Shape	Light Source Type	INTEGRATED LED
IP Rating	IP44	Total Wattage	45W
Voltage	AC 120V-240V	Dimmable	Yes
Wattage	7W/ft	Location Rating	Damp Location
CRI	90	Total Lumen	4500lm
Function	Customization	Switch Type	Touch Switch
CCT	3000K/4000K/5000K	Sliver Mirror Thickness	5mm
Bluetooth speaker	Available	Listing	ETL listed



MIRROR LIGHT



*Other special requirements please contact with our sales.



Liteharbor Lighting Technology Co., L
 New Industry Area Hecun Danzao Town
 Nanhai Foshan City Guangdong China

TEL: +86-757-8180 8675
 FAX: +86-757-8180 8685
 E-mail: info@liteharbor.com

Website: www.liteharbor.com
 Specifications subject to change w/o notice
 Revision: Oct. 2021