

SPECIFICATION SHEET

Ardito LED - A3RSF (DL3RSF)

3-1/2" Series

Project _____

Notes _____

Fixture Type _____

Date _____

Ultra-Thin Profile Round Regressed Shower Trim



WITH FLANGE

A3RSF-1111 - XXX (illustrated)
(DL3RSF-1111 - XXX)



FLANGELESS TRIM

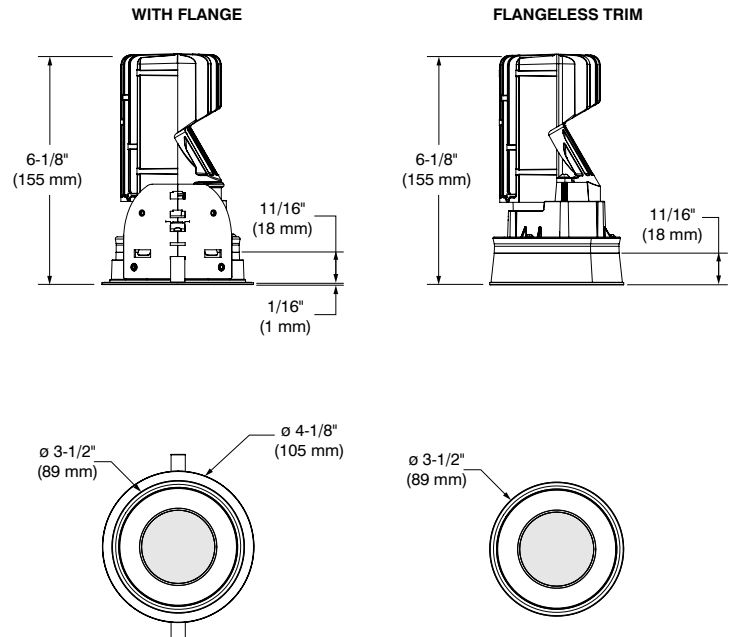
A3RSF-TR11 - XXX (illustrated)
(DL3RSF-TR11 - XXX)

Aluminum round, 3-1/2" high efficiency regressed shower dimmable LED downlight trim. May be installed with a low profile ultra-thin flange or flangeless trim in configuration for insulated, non-insulated and remodel (non-IC) ceilings.



SPECIFICATIONS

TRIM DETAILS	<p>Requires a 6-1/2" (165 mm) clearance beyond the ceiling level.</p> <p>Perfect fit into ceiling</p> <p>Each part of the housing should be at LEAST 3" (76 mm) from insulation (non-IC configurations)</p> <p>Can fit in ceilings up to 1-1/2" (38 mm) thick</p> <p>Junction box is accessible from below the ceiling for ease of maintenance</p>
HEAT SINK	High quality injection molded aluminum heat sink ensuring maximum heat dissipation for optimal performance.
CEILING CUTOUT	ø 3-3/4" (95 mm)
CERTIFICATION	<ul style="list-style-type: none"> cULus E343977 for wet locations Certified under California Energy Commission according to reference joint Appendix 8 (JA8-2016) Certified Air Tight ASTM E283
WARRANTY	<p>1 year on components against manufacturing defects</p> <p>5 years on LED arrays and drivers</p>



Liteharbor Lighting Technology Co., Ltd.

New Industry Area Hecun Danzao Town Nanhai
Foshan City Guangdong China

Tel.: +86-757-81808688
Fax.: +86-757-81808685
info@liteharbor.com
liteharbor.com
liteharborfactory.com

© 2021 Liteharbor Lighting Technology Co., Ltd.
All rights reserved
Liteharbor Lighting Technology Co., Ltd. reserves the right to make changes in specifications and/or to discontinue any product at any time without notice or obligation and will not be liable for any consequences resulting from the use of this publication.

SPECIFICATION SHEET

Ardito LED - A3RSF

(DL3RSF)

3-1/2" Series

Ultra-Thin Profile Round Regressed Shower Trim



SPECIFICATIONS (CONT'D)

COMPATIBLE HOUSINGS

	Remodel Housing	New Construction Housing	Insulated Housing	Insulated Air Tight Housing (Title 24)		Ceiling thickness suggested for insulated housing as a using standard.
Performance 1 (14W)	REA3V1	NWA3RV1	*ISA3RV1	*ICAT6R3-ARV1		* Ceiling thickness must be at least 1/4" (6.4 mm) for insulated housing as a using standard.
Performance 2 (23W)	REA3V2	NWA3RV2	*ISA3RV2	*ICAT6R3-ARV2		

For dimming, please visit our Web site frequently to find suggested compatible dimmer list: www.contrastlighting.com

LIGHT ENGINE

STANDARD (SOLID WHITE)

Lumileds Luxeon CoB 1205 GEN3.

L₇₀ @ 50,000 hours of operation.

3-Step MacAdam ellipse (3 SDCM)

Color Temperatures: 2,700K - 3,000K - 3,500K - 4,000K

CRI: 90+ (93 typical)

R9: >50

Delivered Lumens: Performance 1 (14W) - 1,257 lumens @ 3,000K, 89.8 lm/W } **Clear lens**
 Performance 2 (23W) - 1,878 lumens @ 3,000K, 81.7 lm/W }

Performance 1 (14W) - 945 lumens @ 3,000K, 67.5 lm/W } **Frosted lens**
 Performance 2 (23W) - 1,392 lumens @ 3,000K, 60.5 lm/W }

Power Supply: 120V / 277V (universal input)

One driver available in 2 performances (14W and 23W) and offering 2 dimming options within the same unit:

ELV: 120V only

0-10V: 120V / 277V

Consult housing specification sheet for more details.

OPTIC SYSTEM

Interchangeable optional optical lenses available to customize your lighting.

Choice of available lenses:**Clear (C)** **Frosted (F)**

Flood (L) — with clear and frosted lens	40°
---	-----

* Consult .ies files on our Website for more details.



Liteharbor Lighting Technology Co., Ltd.

New Industry Area Hecun Danzao Town Nanhai
Foshan City Guangdong China

Tel.: +86-757-81808688
Fax.: +86-757-81808685
info@liteharbor.com
liteharbor.com
liteharborfactory.com

© 2021 Liteharbor Lighting Technology Co., Ltd.

All rights reserved
Liteharbor Lighting Technology Co., Ltd. reserves the right to make changes in specifications and/or to discontinue any product at any time without notice or obligation and will not be liable for any consequences resulting from the use of this publication.

SPECIFICATION SHEET

Ardito LED - A3RSF (DL3RSF)

3-1/2" Series

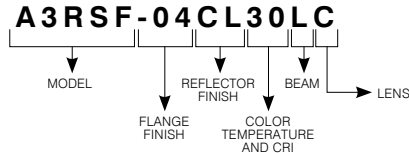
Ultra-Thin Profile Round Regressed Shower Trim



SPECIFICATIONS (CONT'D)

FLANGE FINISHES	Powder coat painted or plated die formed steel.	
<i>Options in red may generate a longer production lead time</i>	Different finishes available: 24K Gold Plated (-03), Chrome (-04), Brushed Chrome (-04BR), Matte White (-11), Brushed Nickel (-12BR), Satin Nickel (-13), Matte Black (-22) and Polar Grey (-25)	
REFLECTOR FINISHES	Specular Clear (CL)	Painted Matte White (11) Matte Black (22) Natural Anodized Aluminum (AN) Black (BK)
<i>Options in red may generate a longer production lead time</i>		
FLANGELESS TRIMS (OPTION)	Perforated aluminum plate for flangeless product, allowing you to plaster up to the edge of the opening of the Ardito luminaire. Mud-in-plate sold separately. Ordering code: MIPA3R Consult housing specification sheet for more details.	

TRIM WITH FLANGE CODIFICATION EXAMPLE



Options in red may generate a longer production lead time.

TRIM WITH FLANGE ORDERING CODES **A3RSF**

MODEL	FLANGE FINISHES	REFLECTOR FINISHES	COLOR TEMPERATURE AND CRI	BEAM	LENSES	
A3RSF (DL3RSF)	-04BR	Brushed Chrome	PAINTED	L Flood beam for clear and frosted lens(40°)	C Clear F Frosted	
	-11	Matte White				11 Matte White
	-12BR	Brushed Nickel				22 Matte Black
	-22	Matte Black				AN Natural Anodized Aluminum
	-25	Polar Grey	BK Black			40 4,000K (90+ CRI)
	-03	24K Gold Plated	SPECULAR			
	-04	Chrome				CL Clear
	-13	Satin Nickel				



Liteharbor Lighting Technology Co., Ltd.
New Industry Area Hecun Danzao Town Nanhai
Foshan City Guangdong China

Tel.: +86-757-81808688
Fax.: +86-757-81808685
info@liteharbor.com
liteharbor.com
liteharborfactory.com

© 2021 Liteharbor Lighting Technology Co., Ltd.
All rights reserved
Liteharbor Lighting Technology Co., Ltd. reserves the right to make changes in specifications and/or to discontinue any product at any time without notice or obligation and will not be liable for any consequences resulting from the use of this publication.

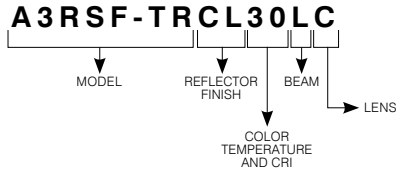
SPECIFICATION SHEET

Ardito LED - A3RSF (DL3RSF)

3-1/2" Series

Ultra-Thin Profile Round Regressed Shower Trim

FLANGELESS TRIM OPTION — CODIFICATION EXAMPLE



Mud-in-plate required for use of flangeless trim (see ordering code below)

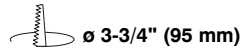
Options in red may generate a longer production lead time.

FLANGELESS TRIM OPTION — ORDERING CODES **A3RSF-TR**

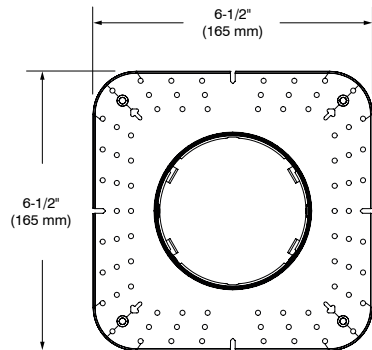
MODEL	REFLECTOR FINISHES	COLOR TEMPERATURE AND CRI	BEAM	LENSES
A3RSF-TR (DL3RSF-TR)	PAINTED	27 2,700K (90+ CRI)	L Flood beam for clear and frosted lens (40°)	C Clear
	11 Matte White	30 3,000K (90+ CRI)		F Frosted
	22 Matte Black	35 3,500K (90+ CRI)		
	AN Natural Anodized Aluminum	40 4,000K (90+ CRI)		
	BK Black			
	SPECULAR			
	CL Clear			

MUD-IN-PLATE

Required with the use of flangeless trims. Consult housing specification sheet for more details.



Code: MIPA3R



ORDERING CODES for replacement lenses

For future on-site modifications of the light distribution.

Lenses (to modify light diffusion)

Clear (C): **104036**
Frosted (F): **317240**



Liteharbor Lighting Technology Co., Ltd.
New Industry Area Hecun Danzao Town Nanhai
Foshan City Guangdong China

Tel.: +86-757-81808688
Fax.: +86-757-81808685
info@liteharbor.com
liteharbor.com
liteharborfactory.com

© 2021 Liteharbor Lighting Technology Co., Ltd.
All rights reserved
Liteharbor Lighting Technology Co., Ltd. reserves the right to make changes in specifications and/or to discontinue any product at any time without notice or obligation and will not be liable for any consequences resulting from the use of this publication.

Ardito LED - A3RSF

(DL3RSF)

3-1/2" Series

Ultra-Thin Profile Round Regressed Shower Trim

PHOTOMETRIC DATA



In order to obtain the accurate photometric data, multiply the lumens relative to your product selection by the applicable factor(s). Take note these factors also need to be implemented in the .ies files available on our website.

WITH PERFORMANCE 1 HOUSING (14W)

	Flood (40°)	
2,700K with 90+ CRI	1,214 lm	86.7 lm/W
3,000K with 90+ CRI	1,258 lm	89.9 lm/W
3,500K with 90+ CRI	1,319 lm	94.2 lm/W
4,000K with 90+ CRI	1,353 lm	96.6 lm/W

WITH PERFORMANCE 2 HOUSING (23W)

	Flood (40°)	
2,700K with 90+ CRI	1,812 lm	78.8 lm/W
3,000K with 90+ CRI	1,878 lm	81.7 lm/W
3,500K with 90+ CRI	1,969 lm	85.6 lm/W
4,000K with 90+ CRI	2,019 lm	87.8 lm/W

Lens Factors	
C	1
F	0.71



Liteharbor Lighting Technology Co., Ltd.

New Industry Area Hecun Danzao Town Nanhai
Foshan City Guangdong China

Tel.: +86-757-81808688
Fax.: +86-757-81808685
info@liteharbor.com
liteharbor.com
liteharborfactory.com

© 2021 Liteharbor Lighting Technology Co., Ltd.
All rights reserved

Liteharbor Lighting Technology Co., Ltd. reserves the right to make changes in specifications and/or to discontinue any product at any time without notice or obligation and will not be liable for any consequences resulting from the use of this publication.

SPECIFICATION SHEET

Ardito LED - A3RSF

(DL3RSF)

3-1/2" Series

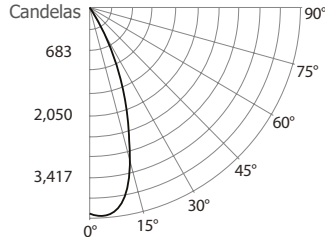
Ultra-Thin Profile Round Regressed Shower Trim

PHOTOMETRIC DATA



3,000K, 90+ CRI, Flood, Performance 1 — WITH CLEAR LENS

CANDLEPOWER DISTRIBUTION



LIGHT CONE

Distance	FC	DIA
06'	74.8	4.3'
08'	42.1	5.7'
10'	26.9	7.1'
12'	18.7	8.5'
14'	13.7	10.0'
16'	10.5	11.4'

Beam: 40°
Beam Edge defined as 50% of Maximum Nadir Candle-power.

LUMINAIRE

Performance 1 LED	3,000K Flood
CBCP / Lumens	2,692 / 1,257.3
Watts	120V 277V 14W 14.5W
Operating AMPS	0.12A 0.052A
Lumen Maintenance	L70 @ 50,000 Hrs
CRI	90+
Lumens/Watt	89.9
Spacing Criteria	0.68

COEFFICIENT OF UTILIZATION - %

Ceiling Reflect %	80		50		30		
Wall Reflect %	50	30	50	30	50	30	
RCR	0	119	119	111	111	106	106
	2	106	103	101	99	98	96
	4	96	91	93	89	91	88
	6	87	82	85	81	84	80
	8	80	75	78	74	78	74
	10	74	69	73	69	72	68

Zonal Cavity Method
Effective Floor Cavity Reflectance 20%

ZONAL LUMEN SUMMARY

ZONE	LUMENS	%LUMINAIRE
0-30	1,170.6	93.1%
0-40	1,255.4	99.9%
0-60	1,257.3	100%
60-90	0.0	0%
0-90	1,257.3	100%

MULTIPLE UNIT DATA - (RCR 2)

SPACING ON CENTER	INITIAL FOOTCANDLES	WATTS/SQ. FT.
5'	62	0.58
6'	35	0.33
7'	24	0.23
8'	24	0.23
9'	16	0.15

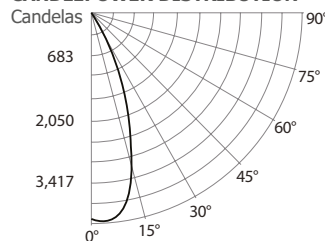
38' x 38' x 10' Room. Workplan located 2-1/2' (30").
Reflectance factor 80%/50%/30%

CANDELAS DISTRIBUTION

DEGREES/VERTICAL	CANDELAS	DEGREES/VERTICAL	CANDELAS
0	2,692	40	11
5	2,715	50	0
10	2,508	60	0
15	1,952	70	0
20	1,329	80	0
25	847	90	0
30	391		

3,000K, 90+ CRI, Flood, Performance 2 — WITH CLEAR LENS

CANDLEPOWER DISTRIBUTION



LIGHT CONE

Distance	FC	DIA
06'	111.5	4.2'
08'	62.7	5.7'
10'	40.1	7.1'
12'	27.9	8.5'
14'	20.5	9.9'
16'	15.7	11.3'

Beam: 40°
Beam Edge defined as 50% of Maximum Nadir Candle-power.

LUMINAIRE

Performance 2 LED	3,000K Flood
CBCP / Lumens	4,012 / 1,878.2
Watts	120V 277V 23W 23.5W
Operating AMPS	0.19A 0.085A
Lumen Maintenance	L70 @ 50,000 Hrs
CRI	90+
Lumens/Watt	81.7
Spacing Criteria	0.98

COEFFICIENT OF UTILIZATION - %

Ceiling Reflect %	80		50		30		
Wall Reflect %	50	30	50	30	50	30	
RCR	0	119	119	111	111	106	106
	2	106	103	101	99	98	96
	4	96	91	93	89	91	88
	6	87	82	85	81	84	80
	8	80	75	78	74	78	74
	10	74	69	73	69	72	68

Zonal Cavity Method
Effective Floor Cavity Reflectance 20%

ZONAL LUMEN SUMMARY

ZONE	LUMENS	%LUMINAIRE
0-30	1,747.1	93%
0-40	1,875.4	99.8%
0-60	1,878.2	100%
60-90	0.0	0%
0-90	1,878.2	100%

MULTIPLE UNIT DATA - (RCR 2)

SPACING ON CENTER	INITIAL FOOTCANDLES	WATTS/SQ. FT.
5'	93	1.01
6'	52	0.57
7'	36	0.39
8'	36	0.39
9'	23	0.25

38' x 38' x 10' Room. Workplan located 2-1/2' (30").
Reflectance factor 80%/50%/30%

CANDELAS DISTRIBUTION

DEGREES/VERTICAL	CANDELAS	DEGREES/VERTICAL	CANDELAS
0	4,012	40	19
5	4,053	50	0
10	3,761	60	0
15	2,915	70	0
20	1,974	80	0
25	1,268	90	0
30	582		



Liteharbor Lighting Technology Co., Ltd.

New Industry Area Hecun Danzao Town Nanhai
Foshan City Guangdong China

Tel.: +86-757-81808688
Fax.: +86-757-81808685
info@liteharbor.com
liteharbor.com
liteharborfactory.com

© 2021 Liteharbor Lighting Technology Co., Ltd.
All rights reserved
Liteharbor Lighting Technology Co., Ltd. reserves the right to make changes in specifications and/or to discontinue any product at any time without notice or obligation and will not be liable for any consequences resulting from the use of this publication.

Ardito LED - A3RSF (DL3RSF)

3-1/2" Series

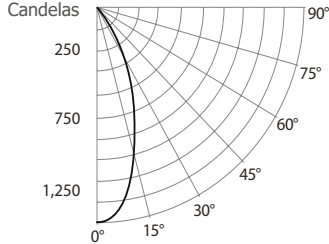
Ultra-Thin Profile Round Regressed Shower Trim

PHOTOMETRIC DATA



3,000K, 90+ CRI, Flood, Performance 1 — WITH FROSTED LENS

CANDLEPOWER DISTRIBUTION



LIGHT CONE

Distance	FC	DIA
06'	41.3	4.4'
08'	23.2	5.9'
10'	14.9	7.3'
12'	10.3	8.8'
14'	7.6	10.3'
16'	5.8	11.8'

Beam: 40°
Beam Edge defined as 50% of Maximum Nadir Candle-power.

LUMINAIRE

Performance 1 LED	3,000K Flood	
CBCP / Lumens	1486 / 945,2	
Watts	120V	277V
	14W	14,5W
Operating AMPS	0,12A	0,052A
Lumen Maintenance	L70 @ 50000 Hrs	
CRI	+90	
Lumens/Watt	67,5	
Spacing Criteria	0,68	

COEFFICIENT OF UTILIZATION - %

Ceiling Reflect %	80		50		30		
Wall Reflect %	50	30	50	30	50	30	
RCR	0	119	119	111	111	106	106
	2	102	98	97	94	94	92
	4	88	83	85	80	83	79
	6	77	71	75	70	74	69
	8	69	63	67	62	66	61
	10	62	56	61	56	60	55

Zonal Cavity Method
Effective Floor Cavity Reflectance 20%

ZONAL LUMEN SUMMARY

ZONE	LUMENS	%LUMINAIRE
0-30	645.9	68.3%
0-40	783.3	82.9%
0-60	919.3	97.3%
60-90	25.8	0.1%
0-90	945.2	100%

MULTIPLE UNIT DATA - (RCR 2)

SPACING ON CENTER	INITIAL FOOTCANDLES	WATTS/SQ. FT.
5'	45	0.53
6'	25	0.30
7'	18	0.21
8'	18	0.21
9'	11	0.13

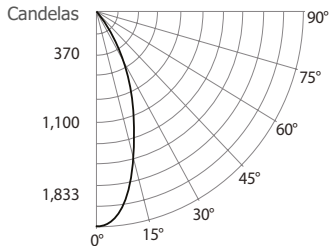
38' x 38' x 10' Room. Workplan located 2-1/2' (30").
Reflectance factor 80%/50%/30%

CANDELAS DISTRIBUTION

DEGREES/VERTICAL	CANDELAS	DEGREES/VERTICAL	CANDELAS
0	1486	40	145
5	1427	50	81
10	1257	60	42
15	1014	70	9
20	751	80	0
25	515	90	0
30	333		

3,000K, 90+ CRI, Flood, Performance 2 — WITH FROSTED LENS

CANDLEPOWER DISTRIBUTION



LIGHT CONE

Distance	FC	DIA
06'	60.8	4.4'
08'	34.2	5.9'
10'	21.9	7.3'
12'	15.2	8.8'
14'	11.2	10.3'
16'	8.6	11.7'

Beam: 40°
Beam Edge defined as 50% of Maximum Nadir Candle-power.

LUMINAIRE

Performance 1 LED	3,000K Flood	
CBCP / Lumens	2188 / 1392,3	
Watts	120V	277V
	23W	23,5W
Operating AMPS	0,19A	0,085A
Lumen Maintenance	L70 @ 50000 Hrs	
CRI	+90	
Lumens/Watt	60,5	
Spacing Criteria	0,68	

COEFFICIENT OF UTILIZATION - %

Ceiling Reflect %	80		50		30		
Wall Reflect %	50	30	50	30	50	30	
RCR	0	119	119	111	111	106	106
	2	102	98	97	94	94	91
	4	88	83	85	80	83	79
	6	77	71	75	70	74	69
	8	69	63	67	62	66	61
	10	62	56	61	56	60	55

Zonal Cavity Method
Effective Floor Cavity Reflectance 20%

ZONAL LUMEN SUMMARY

ZONE	LUMENS	%LUMINAIRE
0-30	950.8	68.3%
0-40	1153.5	82.9%
0-60	1354	97.2%
60-90	38.3	2.8%
0-90	1392.3	100%

MULTIPLE UNIT DATA - (RCR 2)

SPACING ON CENTER	INITIAL FOOTCANDLES	WATTS/SQ. FT.
5'	66	0.53
6'	37	0.30
7'	26	0.21
8'	26	0.21
9'	17	0.13

38' x 38' x 10' Room. Workplan located 2-1/2' (30").
Reflectance factor 80%/50%/30%

CANDELAS DISTRIBUTION

DEGREES/VERTICAL	CANDELAS	DEGREES/VERTICAL	CANDELAS
0	2188	40	214
5	2100	50	119
10	1850	60	61
15	1493	70	13
20	1106	80	0
25	758	90	0
30	491		



Liteharbor Lighting Technology Co., Ltd.

New Industry Area Hecun Danzao Town Nanhai
Foshan City Guangdong China

Tel.: +86-757-81808688
Fax.: +86-757-81808685
info@liteharbor.com
liteharbor.com
liteharborfactory.com

© 2021 Liteharbor Lighting Technology Co., Ltd.
All rights reserved

Liteharbor Lighting Technology Co., Ltd. reserves the right to make changes in specifications and/or to discontinue any product at any time without notice or obligation and will not be liable for any consequences resulting from the use of this publication.