

# BL4-S301A 4" POE Lighting LED Slim Panel Light

Catalog #		Prepared by	LiteHarbor
Project		Date	
Notes			



Power over Ethernet



Damp Location



Color Temperature



Dim To Warm



IC Rated



RGBW



3 Year Limited Warranty



ETL Certificate

## DESCRIPTION

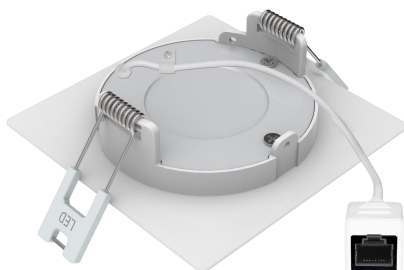
Liteharbor ultra thin recessed LED Panel is absolutely perfect for tight spaces, soffits and insulated and dropped ceilings. This LED is 9 watts and replaces a 45 watt halogen Save up to 80% energy for same light output. The thin Panel profile with spring clips allows for quick and easy installation. Ideal for confined spaces and suitable for damp locations.

## MOUNTING

Cut hole in ceiling and snap fixture in opening with attached spring clips.

## POE SOLUTION

Liteharbor PoE solution with single/double ethernet interface "One in" or "One in One out" design. It provides RJ45 wiring system suitable for CAT5, CAT6, CAT7, CAT8 Ethernet Cable with UL listed. PoE technology sends 10/45 Gbps of data and 30W, 60W up to 90W of power budget to devices over Cat7 and Cat8 Ethernet cables for a maximum distance of 100m.



RJ45 adaptor

## FEATURES

- PoE scheme or LED quick connector provided.
- Available in all 4" round openings.
- Retrofit or New Construction.
- 1/2" Thin - Install Directly Under Joists, Maximum Layout Flexibility.
- No Housing Required.
- Robust, durable and lightweight.
- 3CCT/5CCT range changeable, convenient inventory and cost savings.
- Connection: RJ45 Adaptor suitable for CAT6/CAT7/CAT8 cable.
- Easy to install to suspended ceiling grids
- No UV, IR or Mercury
- Anti-glare

## APPLICATIONS

- Hospitality
- Hotels
- Offices
- Kitchens
- Indoor residential
- Shopping mall stores
- Retail
- Museum
- Commercial

## LISTING/WARRANTY

- ETL to US and Canadian standards for damp location W/Feed through.
- 3 Year Limited Warranty.

\*Other special requirements please confirm with our sales.



**Liteharbor Lighting Technology Co., Ltd.**

New Industry Area Hecun Danzao Town  
Nanhai Foshan City Guangdong China

TEL: +86-757-8180 8675

FAX: +86-757-8180 8685

E-mail: info@liteharbor.com

Website: www.liteharbor.com

Specifications subject to change w/o notice

Revision: Aug. 2022

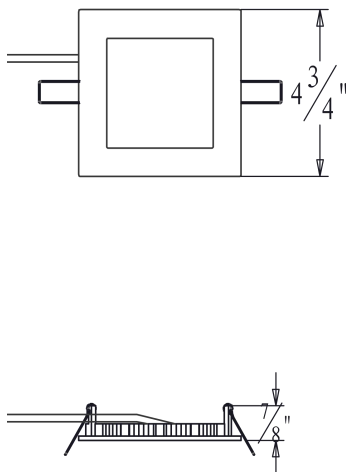
## SPECIFICATION

DESCRIPTION	BL4-S301A	BL6-S301A
Wattage	9W	14W
Luminous Flux	700lm	1080lm
Lumens / Watt	100lm/w	100lm/w
CRI	90+	90+
Colour Temperature	3000K, 4000K, 6500K/3CCT/5CCT/RGBW	3000K, 4000K, 6500K/3CCT/5CCT/RGBW
Driver Input	DC 24V	DC 24V
Dimming	RGB+W / Tunable White	RGB+W / Tunable White
Location	Insulated Ceiling & Damp Locations	Insulated Ceiling & Damp Locations
Finish	White,Black,Satin Nickel	White,Black,Satin Nickel
Dimensions	4-3/4"*4-3/4"	6-7/8"* 6-7/8"
Wire	Cat5/Cat6	Cat5/Cat6
Working Temperature	-20°C to +50°C	-20°C to +50°C
Working Humidity	10% – 70%	10% – 70%
IP Rating	20	20
UGR	<18	<18
Beam Angle	120°	120°
THD	<20%	<20%
Installation	Recessed Ceiling Mount	Recessed Ceiling Mount
Lifespan	50,000 Hours at 70% Light Output	50,000 Hours at 70% Light Output
Executive Standard	ETL/ENERGY STAR	ETL/ENERGY STAR
Warranty	3 Year Limited for Fixture & Driver	3 Year Limited for Fixture & Driver



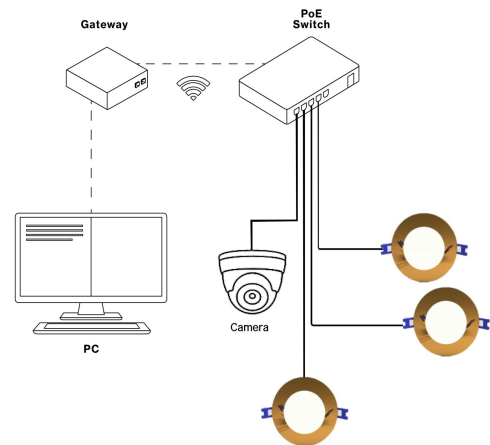
## DIMENSINS

Ceiling cut out: 4"



## POE SOLUTION

The wiring diagram



\*Other special requirements please confirm with our sales.



**Liteharbor Lighting Technology Co., Ltd.**  
 New Industry Area Hecun Danzao Town  
 Nanhai Foshan City Guangdong China

TEL: +86-757-8180 8675  
 FAX: +86-757-8180 8685  
 E-mail: info@liteharbor.com

Website: www.liteharbor.com  
 Specifications subject to change w/o notice  
 Revision: Aug. 2022

## TOP POE BENEFITS INCLUDE

- ◆ Further Cost Savings
- ◆ Easy, Low-Voltage Installation
- ◆ Helps future-proof buildings
- ◆ Enhanced Flexibility and Control
- ◆ Enables software control integration
- ◆ Social Benefits
- ◆ Robust, Secure and Reliable

## ADVANTAGES OF POE

The primary advantage of power over ethernet is the delivery of data and power over one Cat5 or Cat6 ethernet cable.

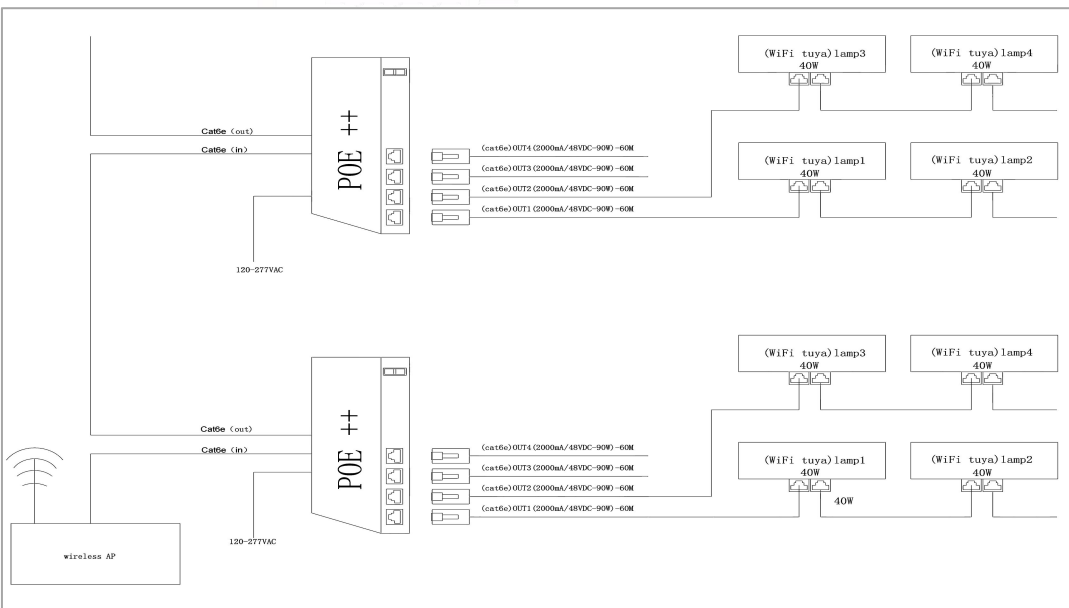
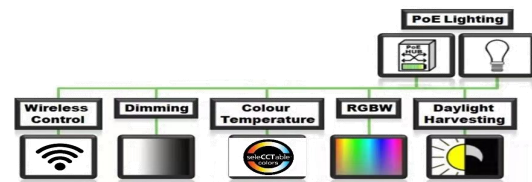
Remote installation generally costs less than optical fiber and does not require a qualified electrician, saving building owners valuable time and labor costs.

One of the biggest advantages of PoE technology is cost savings.

PoE installation is cheaper than traditional electrical work, operating costs are lower over the course of the PoE lifetime and data can inform further decisions to save costs

— all without sacrificing lighting quality for occupants.

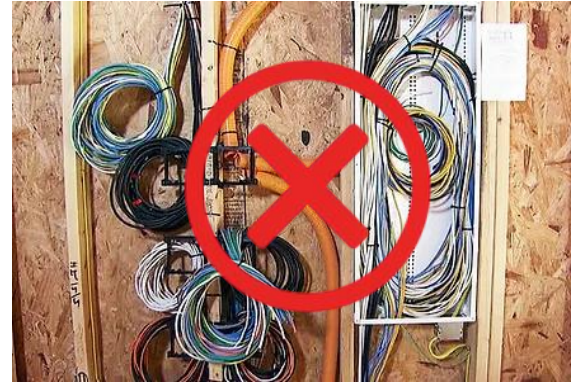
## POWER OVER ETHERNET LIGHTING



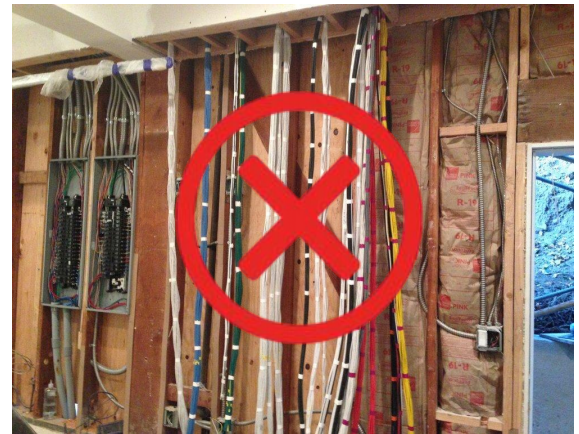
\*Other special requirements please confirm with our sales.

## WHY USE POE LIGHTING

PoE lighting reduces power, material, labor and maintenance.



70% Cost Saving



**Liteharbor Lighting Technology Co., Ltd.**

New Industry Area Hecun Danzao Town  
Nanhai Foshan City Guangdong China

TEL: +86-757-8180 8675

FAX: +86-757-8180 8685

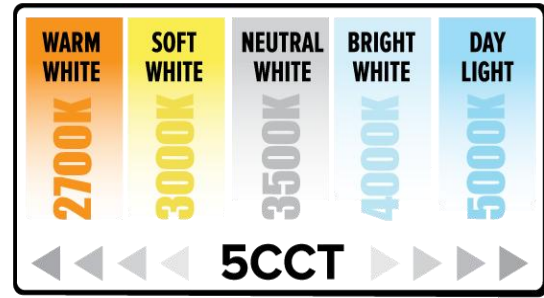
E-mail: info@liteharbor.com

Website: www.liteharbor.com

Specifications subject to change w/o notice

Revision: Aug. 2022

## COLOR TEMPERATURE



Handheld remote controller



Wall typeremote controller

## ORDERING GUIDE

Mars light Series	Mounting	Wattage	Color Temperature
<input type="checkbox"/> BL4-301A	<input type="checkbox"/> R   Round	<input type="checkbox"/> 9  9W/lamp	<input type="checkbox"/> 30K   3000K
<input type="checkbox"/> BL4-S301A	<input type="checkbox"/> S   Square	<input type="checkbox"/> 14 14W/lamp	<input type="checkbox"/> 40K   4000K
<input type="checkbox"/> BL6-301A			<input type="checkbox"/> 50K   5000K
<input type="checkbox"/> BL6-S301A			<input type="checkbox"/> 65K   6500K
			<input type="checkbox"/> 3CCT   30K,40K,50K
			<input type="checkbox"/> 5CCT   30K,35K,40K,45K,50K
			<input type="checkbox"/> RGBW

Input Voltage	Dimmable	Luminous Flux	Finish
<input type="checkbox"/> PoE   24V (PoE Scheme)	<input type="checkbox"/> Triac   Triac dimming	<input type="checkbox"/> 700lm	<input type="checkbox"/> WH   White
	<input type="checkbox"/> DW   Dim to Warm	<input type="checkbox"/> 1080lm	<input type="checkbox"/> BK   Black
	<input type="checkbox"/> TW  Tunable White		<input type="checkbox"/> SN   Satin Nickel

Cable	CRI	Light Source	Install Accessories
<input type="checkbox"/> CT5   Cat5	<input type="checkbox"/> 80   80+	<input type="checkbox"/> CREE	<input type="checkbox"/> Ceiling Tapper
<input type="checkbox"/> CT6   Cat8	<input type="checkbox"/> 90   90+	<input type="checkbox"/> Citizen	<input type="checkbox"/> Ethernet Cable
		<input type="checkbox"/> Epistar	<input type="checkbox"/> RJ45 Connectors
		<input type="checkbox"/> Seoul	<input type="checkbox"/> RJ45 Crimp Tool Kit
		<input type="checkbox"/> Osram	

\*Other special requirements please confirm with our sales.



**Liteharbor Lighting Technology Co., Ltd.**

New Industry Area Hecun Danzao Town  
Nanhai Foshan City Guangdong China

TEL: +86-757-8180 8675

FAX: +86-757-8180 8685

E-mail: info@liteharbor.com

Website: www.liteharbor.com

Specifications subject to change w/o notice

Revision: Aug. 2022

## INSTALL ACCESSORIES

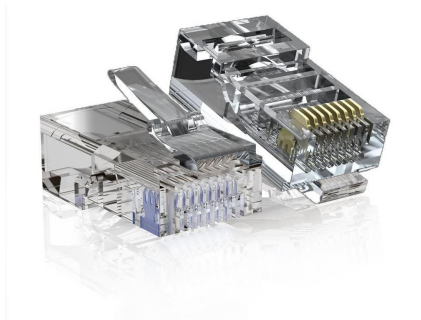
### Ethernet Cables Reference



Attribute	Cat 6	Cat 7	Cat 8
Frequency	250 MHz	600MHz	2000MHz
Transmission speed	1Gbps/10 Gbps	10 Gbps	25 Gbps/40 Gbps
Distance	100m	100m	30m
Number of Connectors in Channel	4	4	2
Cable Construction	UTP or Shielded	Shielded	Shielded
Connector Type	RJ45	RJ45	RJ45
AWG	24 AWG	30 AWG	26AWG

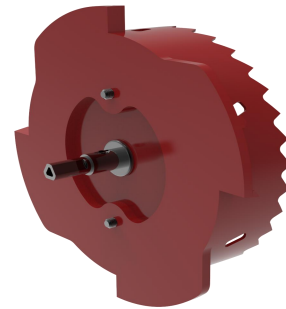
### RJ45 Connectors

Modular plug clear plastic easy to DIY ethernet cable when you need.



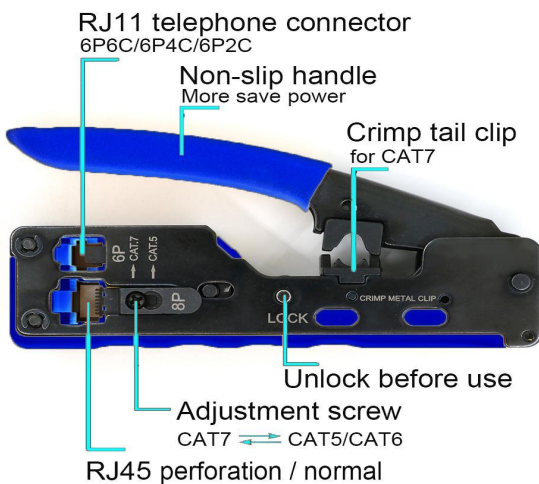
### Ceiling Tapper

Patented circular tooth tapper, Simple operation, the ceiling cut hole quickly.



### Crimp Tool Kit

All-in-one RJ11/RJ12/RJ45 Modular Tool, Pass-Through Wire Stripper Cutter Crimper for Cat5/5e Cat6/6a Cat7 Cat8 Modular Plugs Connectors with Dovetail Clip.



### Ethernet Cables

Cat 6/Cat 7/Cat 8 for option.



### PoE Switch

Not supplied by Liteharbor.



\*Other special requirements please contact with our sales.



**Liteharbor Lighting Technology Co., Ltd.**  
New Industry Area Hecun Danzao Town  
Nanhai Foshan City Guangdong China

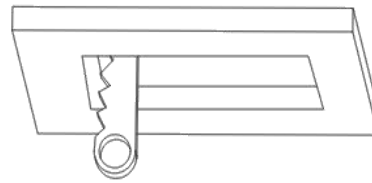
TEL: +86-757-8180 8687  
FAX: +86-757-8180 8685  
E-mail: info@liteharbor.com

Website: www.liteharbor.com  
Specifications subject to change w/o notice  
Revision: Aug. 2022

## BLX-S301A INSTALLATION INSTRUCTIONS

Determine the location for installation and cut ceiling hole in accordance with cut-hole dimensions. Refer to Hole Diameter table for appropriate sizes. (Fig. 1)

Fig. 1



Hole diameter/Diamètre de perforation:

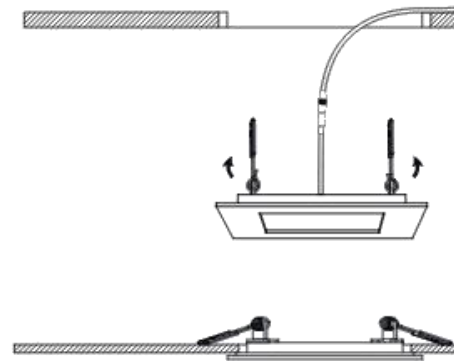
PROF41 (4") 4 1/4" x 4 1/4" ± 1/8" (110 x 110 ± 3mm)

Round	Hole Size
Φ4.25"	4"
Φ6.87"	6"

Square	Hole Size
4.25"*4.25"	4"*4"
6.87"*6.87"	6"*6"

Insert RJ45 cable. Push spring-loaded clips on the fixture upwards and insert fixture base in to the mounting hole. Release the clips and fixture will be pulled flush to the ceiling. (Fig. 2)

Fig. 2



\*Other special requirements please contact with our sales.



**Liteharbor Lighting Technology Co., Ltd.**

New Industry Area Hecun Danzao Town  
Nanhai Foshan City Guangdong China

TEL: +86-757-8180 8687

FAX: +86-757-8180 8685

E-mail: info@liteharbor.com

Website: www.liteharbor.com

Specifications subject to change w/o notice

Revision: Aug. 2022

