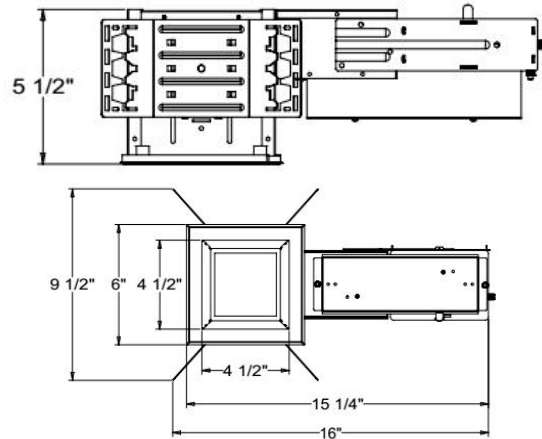
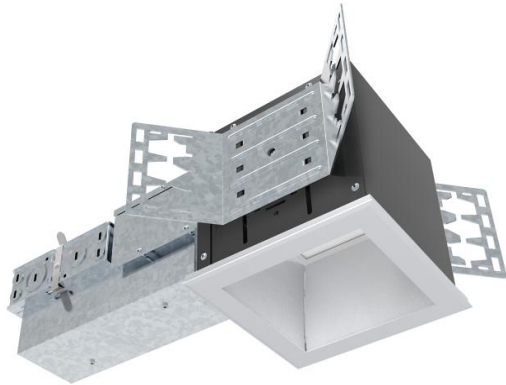


AL4-FS

4" Architectural Square LED Recessed Downlight

Catalog #		Prepared by	LiteHarbor
Project		Date	
Notes			



4" Architectural Square LED Recessed Downlight

Features

Architectural LED luminaire, iron shell spray production, with anti-corrosion shell.

Emergency system is available.

Isolated power supply, safe and without flicker.

LED light source using high quality, high lumen and high CRI LED bead.

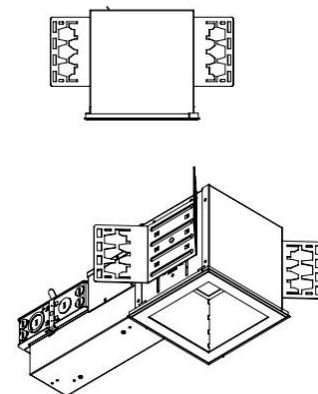
Square emitting surface, with uniform light distribution, high luminous efficiency.

Energy saving, long lifespan even without maintain.

New generation of cold light source, save power, excellent casting performance with far and high light casting compare to common fluorescent and energy saving lamp.

Specification

Power	12/18/24W
Voltage	120V/277V/120-277V
Lumen	80lm/W
Power factor	PF>0.98
CRI	80+CRI/90+CRI
Beam angle	120°
Dimmable	NONE/0 ~ 10v dimming
Light source brands	Osram, Seoul, Cree, Luminus
Lifespan	50000 H
Certification	ETL



Liteharbor Lighting Technology Co., Ltd.

New Industry Area Hecun Danzao Town
Nanhai Foshan City Guangdong China

TEL: +86-757-8180 8675

FAX: +86-757-8180 8685

E-mail: info@liteharbor.com

Website: www.liteharbor.com

Specifications subject to change w/o notice

Revision: June. 2017

Lampshade

Aluminum fog reflective reflector, high light uniformity.

With marbles design mode, the overall height of the size is controlled, smooth appearance, excellent visual effects.

Light Source\ Radiator

High light transmittance, strong light diffusion performance, no shadow no glare.

Point light source emitting turned into spherical light emitting.

Milky white light transmission rate reach 90% above.

Excellent concealed light source, achieve the best light transmission rate without seeing the LED lamp bead.

Outstanding heat dissipation aluminum material, the temperature is guaranteed to be the touch temperature below.

Locating Part

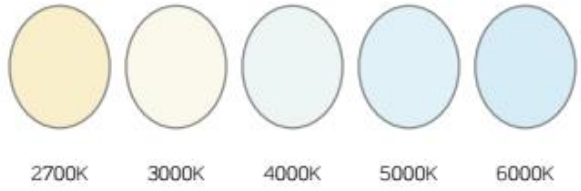
Locating part, easy for installation, will not cause abnormal phenomena such as deformation.

Resolved the problem of product is not centered.

Application

Warehouse, office, hallway.

Color Temperature



Packing



Inner box: 410*155*145MM 1pcs/CTN
 Outer box: 42.5*46.5*30.5CM 6pcs/CTN

Ordering Guide

Series	Input Voltage/ Frequency	Watt	Color Temperature	Finish
<input type="checkbox"/> AL4-FS	<input type="checkbox"/> 120V 50/60Hz	<input type="checkbox"/> 12W	<input type="checkbox"/> 2700K	<input type="checkbox"/> White
<input type="checkbox"/> 4" Architectural	<input type="checkbox"/> 277V 50/60Hz	<input type="checkbox"/> 18W	<input type="checkbox"/> 3000K	<input type="checkbox"/> Black
<input type="checkbox"/> LED Downlight	<input type="checkbox"/> 120-277V 50/60Hz	<input type="checkbox"/> 24W	<input type="checkbox"/> 4000K	<input type="checkbox"/> Gray
			<input type="checkbox"/> 5000K	<input type="checkbox"/> Stain Nickel
			<input type="checkbox"/> 6000K	



Liteharbor Lighting Technology Co., Ltd.
 New Industry Area Hecun Danzao Town
 Nanhai Foshan City Guangdong China

TEL: +86-757-8180 8675
 FAX: +86-757-8180 8685
 E-mail: info@liteharbor.com

Website: www.liteharbor.com
 Specifications subject to change w/o notice
 Revision: June. 2017