



BL6-S301-EFR 6" Square Fire Rated Concave Recessed LED 5CCT 9W

Project:
Location:
Qty:
Notes:



DESCRIPTION

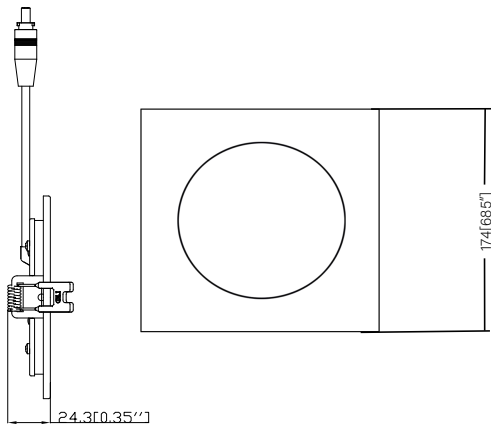
The PRISA Fire Rated series passed fire rated in UL 263 tested comes with a Certified 2-Hour Fire Rating back plate which provides a reinforced and heat resistant casing for up to 2 hours of protection. This unique design and technology has been patented and offers an affordable solution in applications.

FEATURES & BENEFITS

- 2 Hour Fire Rated** Without additional housing or hardware
- Installation Dimension** Available in all standard 4" round openings
- Heat Resistant Casing** Provides up to 2 hours fire protection
- Heavy Duty Steel Spring** Clips for easy installation
- Plenum Rated Cable** For commercial installations
- Connection Box** Comes with Junction Box & Driver, No Housing Required.
- 1/2" Thin** Install Directly Under Joists, Maximum Layout Flexibility
- CRI 80+, 90+** True color rendering
- CCT 3CCT** range changeable, 3000K, 4000K and 5000K
- 5CCT** range changeable, 2700K, 3000K, 3500K, 4000K, 5000K
- convenient inventory and cost savings

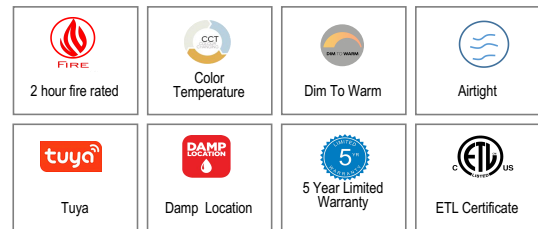
DIMENSION

Ceiling cut out: 6"



SPECIFICATION	
Applications	Multi-Family Residential, Basements & Commercial
Energy Used	12 W
Color Temperature (K)	2700K - 3000K - 3500K - 4000K - 5000K-6000K, 3CCT, 5CCT, Warm Dim, Tunable White
Light Output (lm)	1200lm
Halogen Equivalent	74 W
Beam Angle	120°
CRI	90+
Driver Input	120V AC 50/60 Hz
Dimming	TRIAC Dimmers 10% - 100%
Approved Location	Insulated Ceiling & Damp Locations
Cable	FT6 / CMP Plenum Rated
Air Tight	Yes
Finish	White, Black, Satin Nickel
Ambient Temperature	-4°F (-20°C) to +104°F (+40°C)
Projected Life	70% Light Output at 50,000 Hours
Certification	cETLus, ENERGY STAR
Fire Rating	UL 263-2011(R2022), STM E119-20 & CAN/ULC-S101-14
Warranty	5 Year

LIGHT UNIT:	Trim with powder paint coat preventing discoloring and rusting. Available in several finishes in a variety of painted trim options, and available in different color finishes.
JUNCTION BOX:	The box includes a Commercial Grade Driver designed for 24-hour usage. It is with knockouts located at each end. Wiring compartment allows for (6) 14 gauge (AWG) insulated conductors. Connection to one (1) downstream unit is permitted within the junction box compartment.
INSTALLATION:	LED quickly connector for shallow ceiling installations with no housing required. Installed with Heavy-Duty Commercial Grade Steel spring clip, to withstand excessive heat. The clips allow for easy installation.
WIRING:	Plenum rated cable used to connect light unit and junction box.
OPTICS:	DIRECT or EDGE-lit LED technology uses light guided plate to distribute light. A polycarbonate lens is used to provide even illumination throughout the installation. The recessed design offers an anti-glare feature.
ELECTRICAL:	Easily connected to a 120V power supply via provided UL recognized driver. Dimming down to 10% with most standard LED dimmers (see list of approved dimmers). Ambient operating temperature: -40°C (-40°F) to +40°C (+104°F).
CERTIFICATIONS:	This product is ETL listed in USA & Canada. It has been tested for a 2-HOUR FIRE RATING and complies with ASTM E283/283M-19, UL 263 and certified to UL standard 1598 and CSA standard C22.2#250.0:2021. The PRISA Fire rated series meets the 2-hour rating with most floor-ceiling assemblies including following: UL L505, L511, L536, L538, L541, L556, L577, M500, M510, M521 and M543. Energy start testings passed complies with V2.2 SSL.



SERIES



ACCESSORIES

Sold Separately



STRENGTHEN ACCESSORIES

*Other special requirements please confirm with our sales.



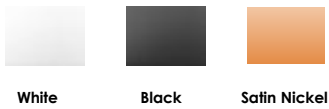
Liteharbor Lighting Technology Co., Ltd.
New Industry Area Hecun Danzao Town
Nanhai Foshan City Guangdong China

TEL: +86-757-8180 8675
FAX: +86-757-8180 8685
E-mail: info@liteharbor.com

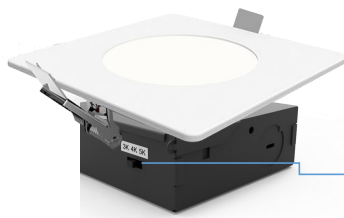
Website: www.liteharbor.com
Specifications subject to change w/o notice
Revision: Apr. 2023

FIRE RATED RECESSED LIGHT

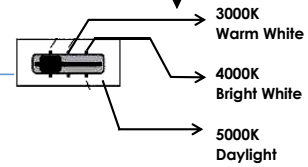
TRIM COLORS



COLORS SELECTION



5/3 SETTING OPTIONS



ORDERING GUIDE

EX.: BL6-S301-EFR

(BL6-S301-EFR-120-12-W-TD...)

MODEL	INPUT VOLTAGE	WATTAGE	BEAMS	DIMMABLE	CRI	FINISH	LUMINOUS FLUX
BL6-S301-EFR	120 120V AC 50/60 Hz PoE 24V (PoE Scheme)	12 12W/lamp	W Flood (120°)	TD Triac dimming	80 CRI 80+ 90 CRI 90+	WH White BK Black SN Satin Nickel	L1 1200lm

COLOR TEMPERATURES

ACCESSORIES

STRENGTHEN ACCESSORIES

<p>27 2700K</p> <p>30 3000K</p> <p>35 3500K</p> <p>40 4000K</p> <p>50 5000K</p> <p>60 6000K</p> <p>3CCT 3000K-4000K-5000K</p> <p>5CCT 2700K-3000K-3500K-4000K-5000K</p> <p>TW Tunable White 2700K-6500K</p> <p>WD Warm Dim 1800K-3000K</p>	<p>FGP Flanged Plate With Hanger Bars Model</p> <p>FRP 26" Flat Rough-In Plates</p> <p>MPF 13" Mounting Plate Flat</p> <p>UMP Universal Mounting New Construction Plate</p>	<p>FRC Tenmat Fire Rated Light Cover</p> <p>FRB IC Fire Rated Box</p>
--	---	---

FIRE RATED RECESSED LIGHT

WHAT MAKES A DOWNLIGHT FIRE RATED

WHAT ARE FIRED RATED RECESSED LIGHT?

Fire rated downlights are lighting fixtures that have been designed and tested to resist the spread of fire in ceilings or walls. They typically feature a fire-resistant casing or cover, as well as intumescent material that expands when exposed to heat to seal off gaps and prevent flames from spreading. Fire rated downlights are commonly used in commercial and residential buildings to meet fire safety regulations and protect against potential hazards.

WHAT ARE THE STANDARDS FOR FIRE RATED LIGHTING?

Fire-rated lighting standards typically require that the light fitting maintains its structural integrity and fire resistance for a specified period, usually 30, 60, or 90 minutes, in the event of a fire. The standards also specify the type of materials and construction methods that must be used for the light fitting to meet the required level of fire resistance. Additionally, fire-rated lighting may need to comply with other relevant standards, such as those related to electrical safety and energy efficiency.

HOW TO SPOT FAKE AND SHODDY FIRE RATED RECESSED LIGHT?

One way to spot fake or shoddy fireproof downlights is to look for certification markings from recognized organizations such as UL or ETL, which test and certify products for safety. It's also important to purchase from reputable sellers and avoid suspiciously low-priced items, as these may indicate a lower quality or unsafe product.

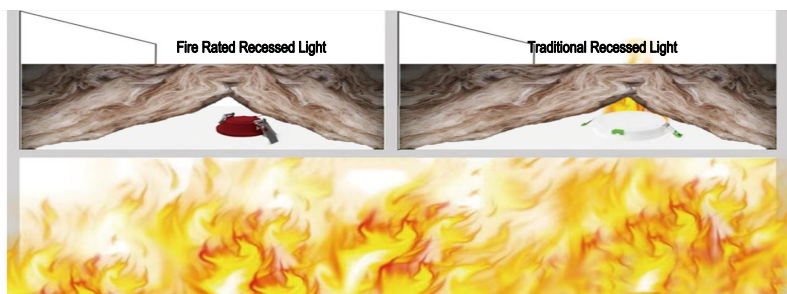
Fire rated recessed downlights can close off the ceiling cutout hole and slow down the spread of fire in the event of a fire, compared to traditional downlights. They effectively block the hole cut into the ceiling.

On each downlight they have a Fireproof Cotton is activated at temperatures above 190°C and unidirectional expansion the 5 times soon, to prevent fire and smoke spread to other parts of the building, and ultimately slow the spread of fire. Different fire rated downlights have different fire rated times, varying for 30, 60, 90 and 120 minutes.



Qualified Fire Rated Recessed Light
(It's not Aluminum)

Aluminum Alloy Fireproof Slim Panel
on the Market
Melting Temperatures:680 °C



*Other special requirements please confirm with our sales.

