

# BL4-301-EFR 4" Fire Rated LED Slim Panel Light

Catalog #			Prepared by	LiteHarbor
Project		Date		
Notes				



## FEATURES

- PoE scheme or LED quick connector provided.
- Available in all 4" round openings.
- Retrofit or New Construction.
- 1/2" Thin - Install Directly Under Joists, Maximum Layout Flexibility.
- Comes with Junction Box & Driver, No Housing Required.
- Robust, durable and lightweight.
- 3CCT range changeable, 3000K, 4000K and 5000K, convenient inventory and cost savings.
- No Flickering, noise or RF interference
- Easy to install to suspended ceiling grids
- No UV, IR or Mercury
- Anti-glare

## DESCRIPTION

Liteharbor Mars Light series with 2 Hour Fire Resistance to meet and exceed strict fire safety codes with only 1/2" clearance, this ultra thin recessed LED Panel is absolutely perfect for tight spaces, soffits and insulated and dropped ceilings. This LED is 9 watts and replaces a 45 watt halogen. Save up to 80% energy for same light output. The thin Panel profile with spring clips allows for quick and easy installation. Ideal for confined spaces and suitable for damp locations.

## MOUNTING

Cut hole in ceiling and snap fixture in opening with attached spring clips. 2" above ceiling clearance required for driver.







## APPLICATIONS

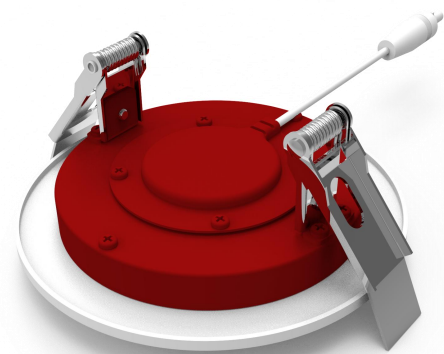
- hospitality
- Retail
- Kitchens
- hotels
- Museum
- indoor / outdoor residential,
- offices
- Commercial
- shopping mall stores

## LISTING/WARRANTY

- ETL to US and Canadian standards for damp location W/Feed through.
- 3 Year Limited Warranty.

\*Other special requirements please confirm with our sales.

	2 hour fire rated		Damp Location
	Color Temperature		Dim To Warm
	IC Rated		Airtight
	3 Year Limited Warranty		ETL Certificate



**Liteharbor Lighting Technology Co., Ltd.**  
New Industry Area Hecun Danzao Town  
Nanhai Foshan City Guangdong China

TEL: +86-757-8180 8675  
FAX: +86-757-8180 8685  
E-mail: info@liteharbor.com

Website: www.liteharbor.com  
Specifications subject to change w/o notice  
Revision: May. 2022

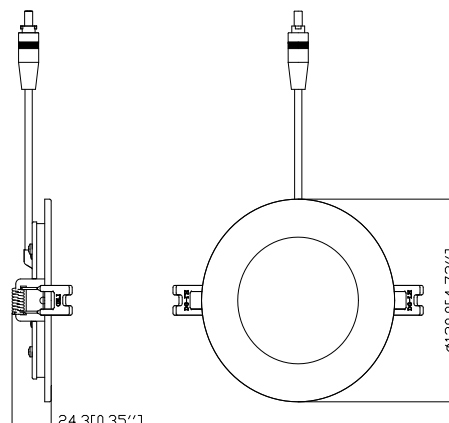
PANEL LIGHT

## SPECIFICATION

DESCRIPTION	BL4-301-EFR	BL4-301A-EFR	BL4-301B-EFR
Wattage	9W		9W
Luminosity	900lm		900lm
Luminous Flux	700lm		700lm
Lumens / Watt	100lm/w		100lm/w
CRI	90+		90+
Colour Temperature	3000K, 4000K, 6500K/3CCT(3000K-4000K-5000K)		3000K, 4000K, 6500K/3CCT(3000K-4000K-5000K)
Driver Input	120V AC or 120V-277V AC 50/60 Hz		24V
Power Factor	0.98		-
Dimming	TRIAC Dimmers 10%-100% (120V only)		RGB+W / Tunable White
Location	Insulated Ceiling & Damp Locations		Insulated Ceiling & Damp Locations
Finish	White,Black,Satin Nickel		White,Black,Satin Nickel
Dimensions	Ø4.72"* H 0.35"		Ø4.72"* H 1.10"
Wire	FT4/FT6		Cat5/Cat6
Working Temperature	-20°C to +60°C		-20°C to +60°C
Working Humidity	10% – 70%		10% – 70%
IP Rating	20		20
Input Current	0.7A		-
Output Current	360mA		-
Power Efficiency	>90%		>90%
UGR	<18		<18
Beam Angle	120°		120°
THD	<20%		<20%
Installation	Recessed Ceiling Mount		Recessed Ceiling Mount
Lifespan	50,000 Hours at 70% Light Output		50,000 Hours at 70% Light Output
Executive Standard	ETL/ENERGY STAR		ETL/ENERGY STAR
Warranty	3 Year Limited for Fixture & Driver		3 Year Limited for Fixture & Driver

## DIMENSIONS

Ceiling cut out: 4"



\*Other special requirements please confirm with our sales.

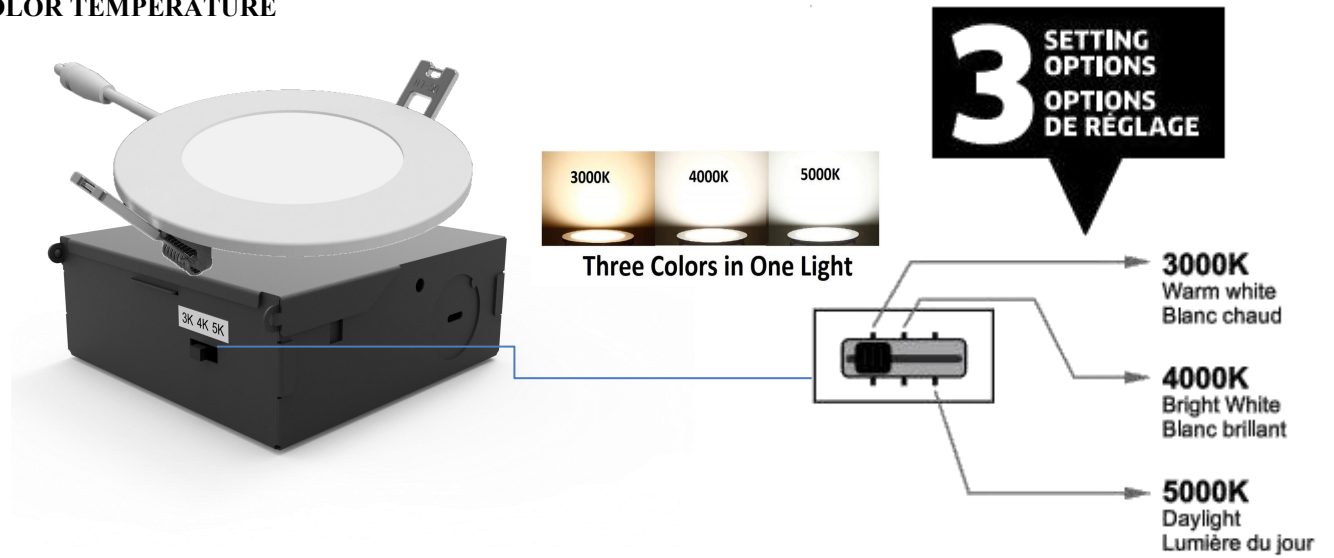


**Liteharbor Lighting Technology Co., Ltd.**  
 New Industry Area Hecun Danzao Town  
 Nanhai Foshan City Guangdong China

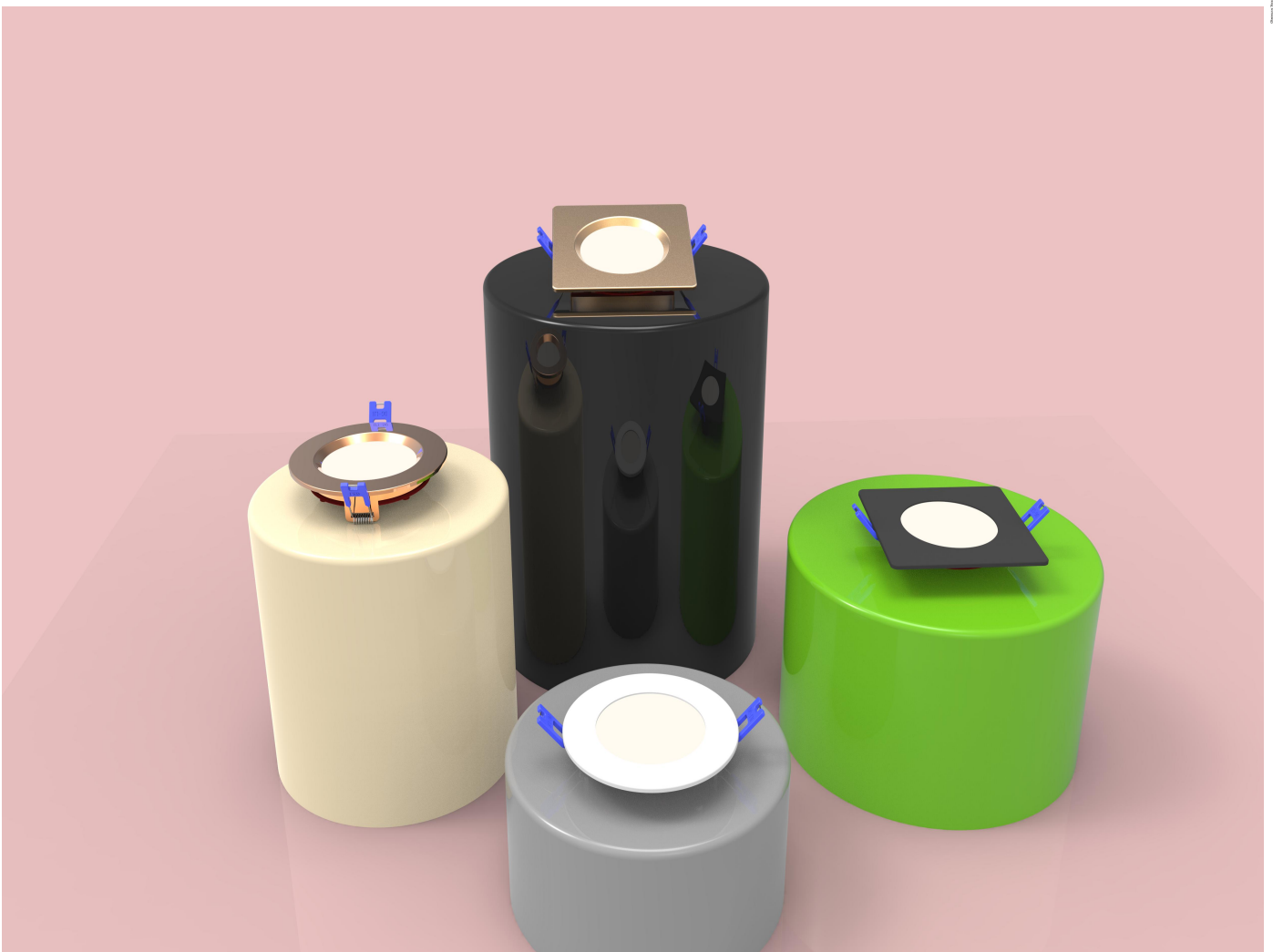
TEL: +86-757-8180 8675  
 FAX: +86-757-8180 8685  
 E-mail: info@liteharbor.com

Website: www.liteharbor.com  
 Specifications subject to change w/o notice  
 Revision: May, 2022

**COLOR TEMPERATURE**



**MARS LIGHT SERIES**

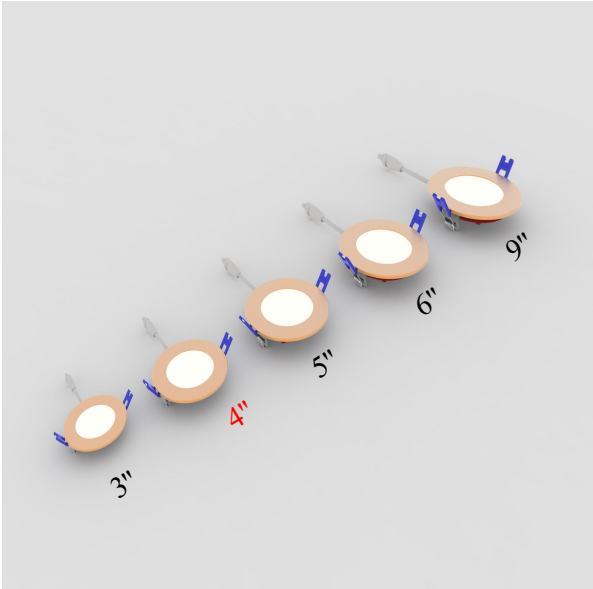


PANEL LIGHT

\*Other special requirements please confirm with our sales.

	<p><b>Liteharbor Lighting Technology Co., Ltd.</b>                  New Industry Area Hecun Danzao Town                  Nanhai Foshan City Guangdong China</p>	<p>TEL: +86-757-8180 8675                  FAX: +86-757-8180 8685                  E-mail: info@liteharbor.com</p>	<p>Website: www.liteharbor.com                  Specifications subject to change w/o notice                  Revision: May. 2022</p>
--	---	--	--

## BLX-301X-F SERIES



Other size coming soon

Item	Description	Lumen
<b>BL4-301-EFR</b>	120V/120V-277V, Triac/0-10V Dim, 9W MAX	700lm
<b>BL4-301A-EFR</b>	POE Single connection hole 24V, 9W MAX	700lm
<b>BL4-301B-EFR</b>	POE Double connection hole 24V, 9W MAX	700lm

## ORDERING GUIDE

Mars light Series	Mounting	Wattage	Color Temperature
<input type="checkbox"/> BL4-301-EFR	<input type="checkbox"/> R   Remodel	<input type="checkbox"/> 6   6W/lamp	<input type="checkbox"/> 30K   3000K
<input type="checkbox"/> BL4-301A-EFR	<input type="checkbox"/> NC   New Construction	<input type="checkbox"/> 9   9W/lamp	<input type="checkbox"/> 40K   4000K
<input type="checkbox"/> BL4-301B-EFR			<input type="checkbox"/> 50K   5000K
			<input type="checkbox"/> 65K   65000K
			<input type="checkbox"/> DW   Dim to Warm
			<input type="checkbox"/> TW   Tunable White

Input Voltage	Dimmable	Luminous Flux	Finish
<input type="checkbox"/> 120   120V	<input type="checkbox"/> Triac   Triac dimming	<input type="checkbox"/> 460lm	<input type="checkbox"/> WH   White
<input type="checkbox"/> U   120V-277V	<input type="checkbox"/> 0-10V   0-10V dimming	<input type="checkbox"/> 700lm	<input type="checkbox"/> BK   Black
<input type="checkbox"/> PoE   24V (PoE Scheme)			<input type="checkbox"/> SN   Satin Nickel

Cable	CRI	Light Source	Install Accessories
<input type="checkbox"/> C4   FT4	<input type="checkbox"/> 90   90+	<input type="checkbox"/> CREE	<input type="checkbox"/> Ceiling Tapper
<input type="checkbox"/> C6   FT6		<input type="checkbox"/> Citizen	<input type="checkbox"/> Ethernet Cable
<input type="checkbox"/> CT5   Cat5		<input type="checkbox"/> Epistar	<input type="checkbox"/> RJ45 Connectors
<input type="checkbox"/> CT6   Cat8		<input type="checkbox"/> Seoul	<input type="checkbox"/> RJ45 Crimp Tool Kit
		<input type="checkbox"/> Osram	

\*Other special requirements please confirm with our sales.



**Liteharbor Lighting Technology Co., Ltd.**

New Industry Area Hecun Danzao Town  
Nanhai Foshan City Guangdong China

TEL: +86-757-8180 8675

FAX: +86-757-8180 8685

E-mail: [info@liteharbor.com](mailto:info@liteharbor.com)

Website: [www.liteharbor.com](http://www.liteharbor.com)

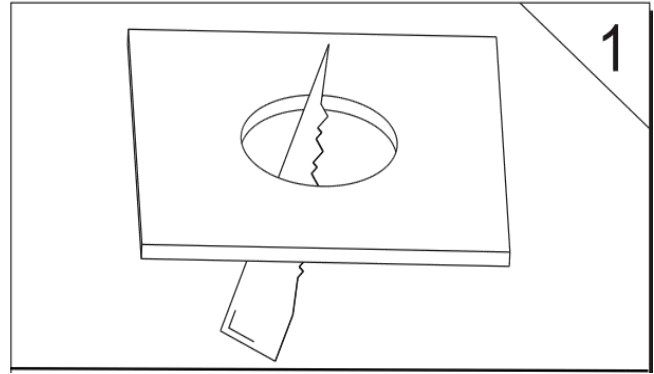
Specifications subject to change w/o notice

Revision: May, 2022



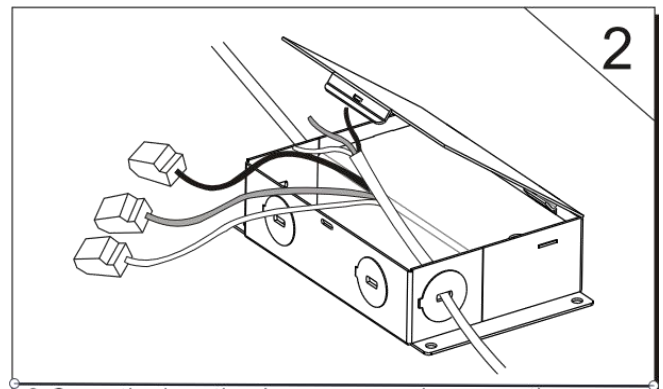
## BLX-301-EFR INSTALLATION INSTRUCTIONS

1. Turn power OFF from the electrical panel prior to installation.
2. Determine the location for installation and cut ceiling hole in accordance with cut-hole dimensions. Refer to *Hole Diameter* table for appropriate sizes. (Fig. 1)

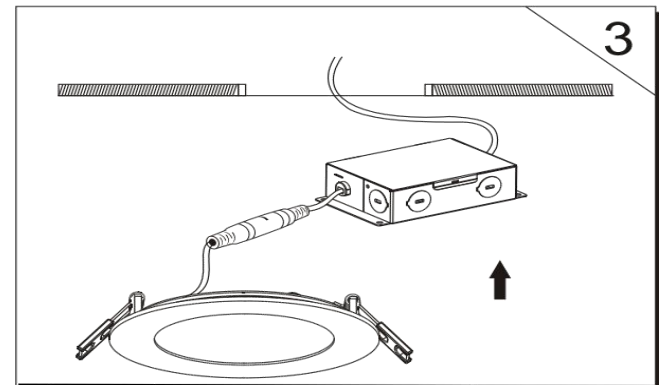


ROUND	Hole Size	SQUARE	Hole Size
Φ4.25"	4"	4.25"*4.25"	4"*4"

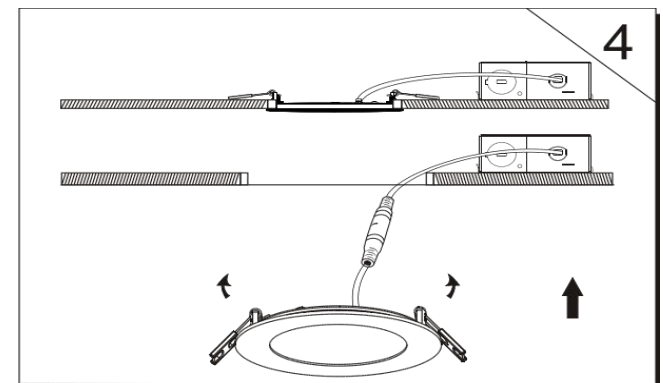
3. Open the junction box cover and remove the appropriate knockout(s) on the side panel. (Fig. 2)
4. Insert the electrical supply cable through the knockout and secure with a cable connector (sold separately).
5. Using quick-connect push-in terminals, connect the ground wire to the green wire terminal; black wire to black wire terminal; white wire to white wire terminal. (Fig. 2)



6. Place all wiring and connections back in to the box and close the cover. Connect the driver to the light panel.
7. Insert junction box through the mounting hole. (Fig. 3)



8. Push spring-loaded clips on the fixture upwards and insert fixture base in to the mounting hole. Release the clips and fixture will be pulled flush to the ceiling. (Fig. 4)



\*Other special requirements please confirm with our sales.



**Liteharbor Lighting Technology Co., Ltd.**  
 New Industry Area Hecun Danzao Town  
 Nanhai Foshan City Guangdong China

TEL: +86-757-8180 8675  
 FAX: +86-757-8180 8685  
 E-mail: info@liteharbor.com

Website: www.liteharbor.com  
 Specifications subject to change w/o notice  
 Revision: May. 2022