

BL4-302A-BFR 4" Fire Rated LED Concave Panel Light

Catalog #			
Project		Prepared by	LiteHarbor
		Date	
Notes			



FEATURES

- PoE scheme or LED quick connector provided.
- Available in all 4" round openings.
- Retrofit or New Construction.
- 1/2" Thin - Install Directly Under Joists, Maximum Layout Flexibility.
- Comes with Junction Box & Driver, No Housing Required.
- Robust, durable and lightweight.
- 3CCT range changeable, 3000K, 4000K and 5000K, convenient inventory and cost savings.
- No Flickering, noise or RF interference
- Easy to install to suspended ceiling grids
- No UV, IR or Mercury
- Anti-glare

DESCRIPTION

The concave lens design of Liteharbor Mars Light series creates muted illumination to enhance residential or commercial spaces without sacrificing brightness. With 2 Hour Fire Resistance to meet and exceed strict fire safety codes with only 1/2" clearance, this ultra thin recessed LED Panel is absolutely perfect for tight spaces, soffits and insulated and dropped ceilings. This LED is 9 watts and replaces a 45 watt halogen. Save up to 80% energy for same light output. The thin Panel profile with spring clips allows for quick and easy installation. Ideal for confined spaces and suitable for damp locations.

MOUNTING

Cut hole in ceiling and snap fixture in opening with attached spring clips. 2" above ceiling clearance required for driver.

APPLICATIONS

- hospitality
- hotels
- offices
- Retail
- Museum
- Commercial
- Kitchens
- indoor / outdoor residential,
- shopping mall stores

LISTING/WARRANTY

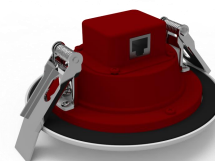
- ETL to US and Canadian standards for damp location W/Feed through.
- 3 Year Limited Warranty.

*Other special requirements please confirm with our sales.

	2 hour fire rated		Damp Location
	Color Temperature		Dim To Warm
	IC Rated		Airtight
	3 Year Limited Warranty		ETL Certificate

POE SOLUTION

Liteharbor PoE solution with single/double ethernet interface "One in" or "One in One out" design. It provides RJ45 wiring system suitable for CAT5, CAT6, CAT7, CAT8 Ethernet Cable with UL listed. PoE technology sends 10/45 Gbps of data and 30W, 60W up to 90W of power budget to devices over Cat7 and Cat8 Ethernet cables for a maximum distance of 100m.



Liteharbor Lighting Technology Co., Ltd.
New Industry Area Hecun Danzao Town
Nanhai Foshan City Guangdong China

TEL: +86-757-8180 8675
FAX: +86-757-8180 8685
E-mail: info@liteharbor.com

Website: www.liteharbor.com
Specifications subject to change w/o notice
Revision: May. 2022

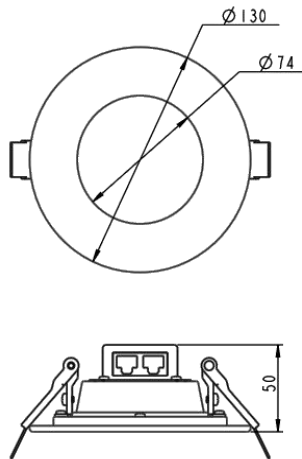
PANEL LIGHT

SPECIFICATION

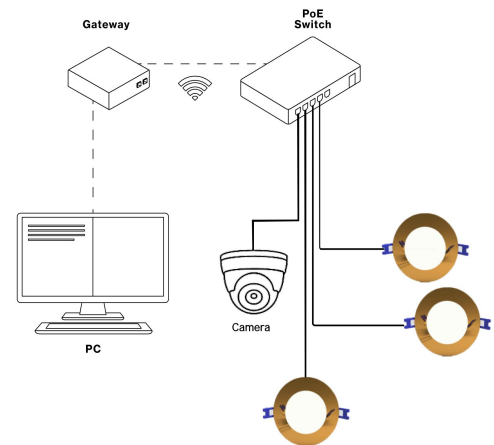
DESCRIPTION	BL-302A-BFR	BL-302B-BFR	BL-302-BFR
Wattage	9W		9W
Luminosity	900lm		900lm
Luminous Flux	700lm		700lm
Lumens / Watt	100lm/w		100lm/w
CRI	90+		90+
Colour Temperature	3000K, 4000K, 6500K/3CCT(3000K-4000K-5000K)		3000K, 4000K, 6500K/3CCT(3000K-4000K-5000K)
Driver Input	24V		120V AC or 120V-277V AC 50/60 Hz
Power Factor	-		0.98
Dimming	RGB+W / Tunable White		TRIAC Dimmers 10%-100% (120V only)
Location	Insulated Ceiling & Damp Locations		Insulated Ceiling & Damp Locations
Finish	White,Black,Satin Nickel		White,Black,Satin Nickel
Dimensions	Ø4.72"* H 1.29"		Ø4.72"* H 1.15"
Wire	Cat5/Cat6		FT4/FT6
Working Temperature	-20°C to +60°C		-20°C to +60°C
Working Humidity	10% – 70%		10% – 70%
IP Rating	20		20
Input Current	-		0.7A
Output Current	-		360mA
Power Efficiency	>90%		>90%
UGR	<18		<18
Beam Angle	120°		120°
THD	<20%		<20%
Installation	Recessed Ceiling Mount		Recessed Ceiling Mount
Lifespan	50,000 Hours at 70% Light Output		50,000 Hours at 70% Light Output
Executive Standard	ETL/ENERGY STAR		ETL/ENERGY STAR
Warranty	3 Year Limited for Fixture & Driver		3 Year Limited for Fixture & Driver

DIMENSIONS

Ceiling cut out: 4"



POE SOLUTION



*Other special requirements please confirm with our sales.

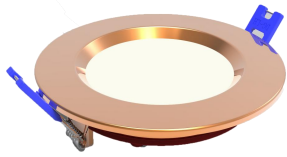


Liteharbor Lighting Technology Co., Ltd.
 New Industry Area Hecun Danzao Town
 Nanhai Foshan City Guangdong China

TEL: +86-757-8180 8675
 FAX: +86-757-8180 8685
 E-mail: info@liteharbor.com

Website: www.liteharbor.com
 Specifications subject to change w/o notice
 Revision: May, 2022

COLOR TEMPERATURE



Three Colors in One Light

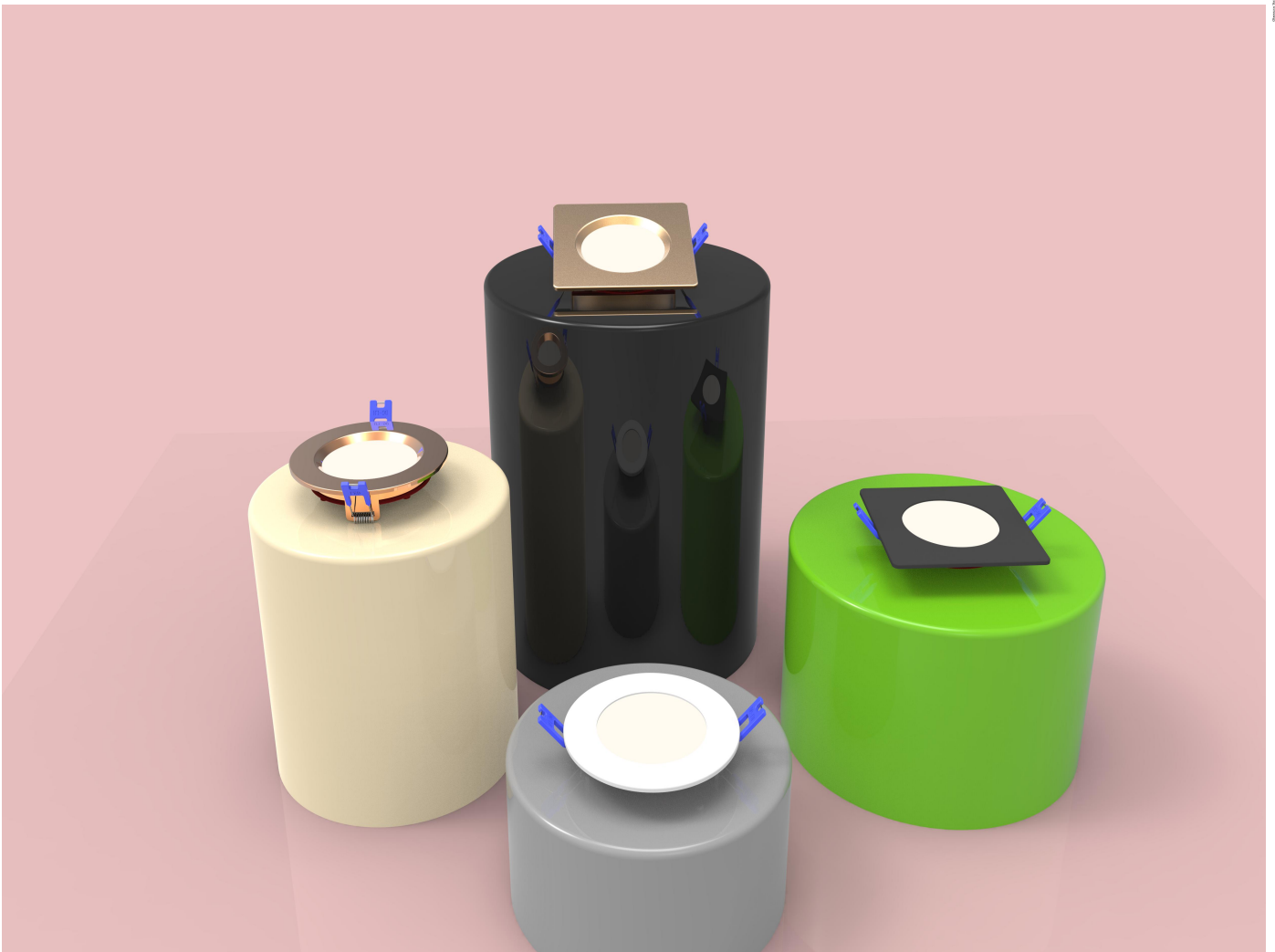


Handheld remote controller



Wall typeremote controller

MARS LIGHT SERIES



PANEL LIGHT

*Other special requirements please confirm with our sales.

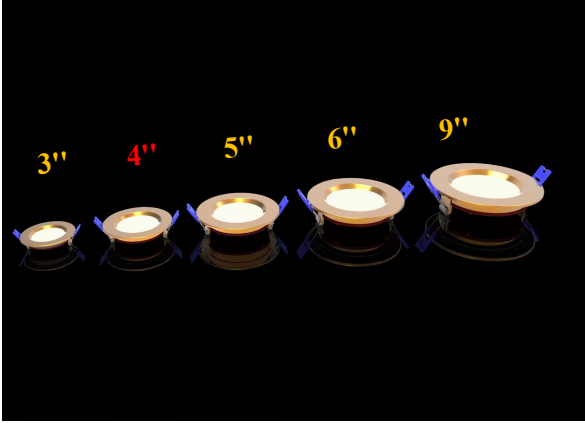


Liteharbor Lighting Technology Co., Ltd.
 New Industry Area Hecun Danzao Town
 Nanhai Foshan City Guangdong China

TEL: +86-757-8180 8675
 FAX: +86-757-8180 8685
 E-mail: info@liteharbor.com

Website: www.liteharbor.com
 Specifications subject to change w/o notice
 Revision: May. 2022

BLX-302X-BFR SERIES



Other size coming soon

Item	Description	Lumen
BL3-302-BFR	120V/120V-277V, Triac/0-10V Dim, 6W MAX	460lm
BL3-302A-BFR	POE Single connection hole 24V, 6W MAX	460lm
BL3-302B-BFR	POE Double connection hole 24V, 6W MAX	460lm
BL4-302-BFR	120V/120V-277V, Triac/0-10V Dim, 9W MAX	700lm
BL4-302A-BFR	POE Single connection hole 24V, 9W MAX	700lm
BL4-302B-BFR	POE Double connection hole 24V, 9W MAX	700lm
BL5-302-BFR	120V/120V-277V, Triac/0-10V Dim, 12W MAX	930lm
BL5-302A-BFR	POE Single connection hole 24V, 12W MAX	930lm
BL5-302B-BFR	POE Double connection hole 24V, 12W MAX	930lm
BL6-302-BFR	120V/120V-277V, Triac/0-10V Dim, 14W MAX	1080lm
BL6-302A-BFR	POE Single connection hole 24V, 14W MAX	1080lm
BL6-302B-BFR	POE Double connection hole 24V, 14W MAX	1080lm
BL9-302-BFR	120V/120V-277V, Triac/0-10V Dim, 20W MAX	1500lm
BL9-302A-BFR	POE Single connection hole 24V, 20W MAX	1500lm
BL9-302B-BFR	POE Double connection hole 24V, 20W MAX	1500lm


ORDERING GUIDE

Mars light Series	Mounting	Wattage	Color Temperature
<input type="checkbox"/> BL4-302-BFR	<input type="checkbox"/> R Remodel	<input type="checkbox"/> 6 6W/lamp	<input type="checkbox"/> 30K 3000K
<input type="checkbox"/> BL4-302A-BFR	<input type="checkbox"/> NC New Construction	<input type="checkbox"/> 9 9W/lamp	<input type="checkbox"/> 40K 4000K
<input type="checkbox"/> BL4-302B-BFR		<input type="checkbox"/> 12 12W/lamp	<input type="checkbox"/> 50K 5000K
		<input type="checkbox"/> 14 14W/lamp	<input type="checkbox"/> 65K 65000K
		<input type="checkbox"/> 20 20W/lamp	<input type="checkbox"/> DW Dim to Warm
			<input type="checkbox"/> TW Tunable White

Input Voltage	Dimmable	Luminous Flux	Finish
<input type="checkbox"/> 120 120V	<input type="checkbox"/> Triac Triac dimming	<input type="checkbox"/> 460lm	<input type="checkbox"/> WH White
<input type="checkbox"/> U 120V-277V	<input type="checkbox"/> 0-10V 0-10V dimming	<input type="checkbox"/> 700lm	<input type="checkbox"/> BK Black
<input type="checkbox"/> PoE 24V (PoE Scheme)		<input type="checkbox"/> 930lm	<input type="checkbox"/> SN Satin Nickel
		<input type="checkbox"/> 1080lm	
		<input type="checkbox"/> 1500lm	

Cable	CRI	Light Source	Install Accessories
<input type="checkbox"/> C4 FT4	<input type="checkbox"/> 90 90+	<input type="checkbox"/> CREE	<input type="checkbox"/> Ceiling Tapper
<input type="checkbox"/> C6 FT6		<input type="checkbox"/> Citizen	<input type="checkbox"/> Ethernet Cable
<input type="checkbox"/> CT5 Cat5		<input type="checkbox"/> Epistar	<input type="checkbox"/> RJ45 Connectors
<input type="checkbox"/> CT6 Cat8		<input type="checkbox"/> Seoul	<input type="checkbox"/> RJ45 Crimp Tool Kit
		<input type="checkbox"/> Osram	

*Other special requirements please confirm with our sales.

 Liteharbor Lighting Technology Co., Ltd. New Industry Area Hecun Danzao Town Nanhai Foshan City Guangdong China	TEL: +86-757-8180 8675	Website: www.liteharbor.com
	FAX: +86-757-8180 8685	Specifications subject to change w/o notice
	E-mail: info@liteharbor.com	Revision: May, 2022

INSTALL ACCESSORIES

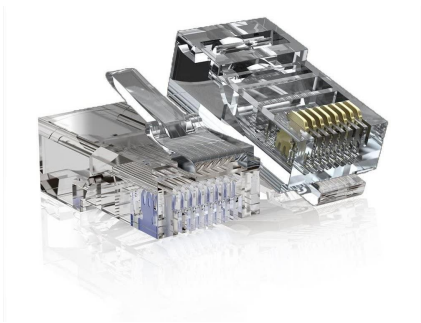
Ethernet Cables Reference



Attribute	Cat 6	Cat 7	Cat 8
Frequency	250 MHz	600MHz	2000MHz
Transmission speed	1Gbps/10 Gbps	10 Gbps	25 Gbps/40 Gbps
Distance	100m	100m	30m
Number of Connectors in	4	4	2
Cable Construction	UTP or Shielded	Shielded	Shielded
Connector Type	RJ45	RJ45	RJ45
AWG	24 AWG	30 AWG	26AWG

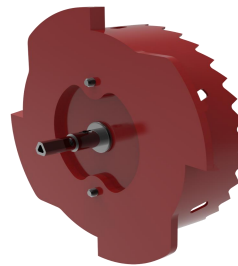
RJ45 Connectors

Modular plug clear plastic easy to DIY ethernet cable when you need.



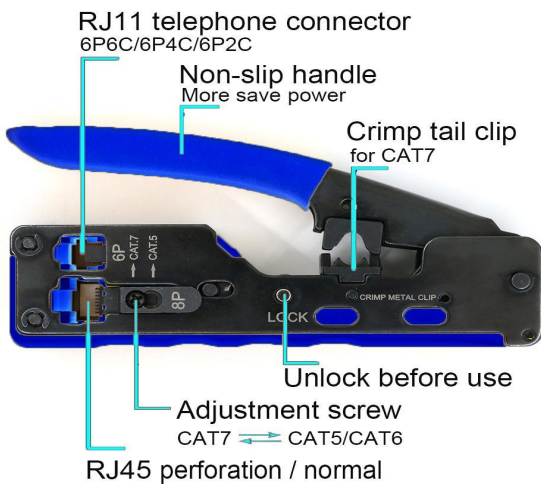
Ceiling Tapper

Patented circular tooth tapper, Simple operation, the ceiling cut hole quickly.



Crimp Tool Kit

All-in-one RJ11/RJ12/RJ45 Modular Tool, Pass-Through Wire Stripper Cutter Crimper for Cat5/5e Cat6/6a Cat7 Cat8 Modular Plugs Connectors with Dovetail Clip.



Ethernet Cables

Cat 6/Cat 7/Cat 8 for option.



PoE Switch

Not supplied by Liteharbor.



*Other special requirements please contact with our sales.



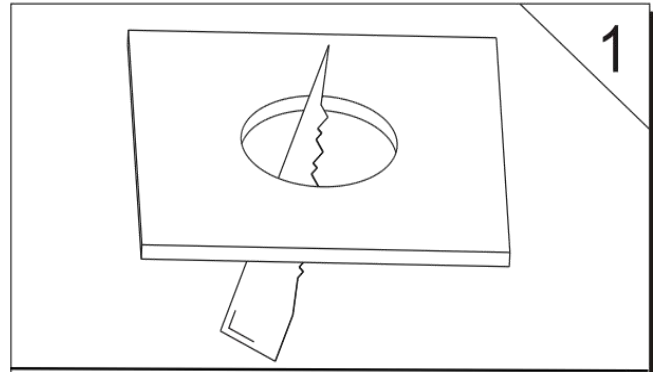
Liteharbor Lighting Technology Co., Ltd.
New Industry Area Hecun Danzao Town
Nanhai Foshan City Guangdong China

TEL: +86-757-8180 8687
FAX: +86-757-8180 8685
E-mail: info@liteharbor.com

Website: www.liteharbor.com
Specifications subject to change w/o notice
Revision: May. 2022

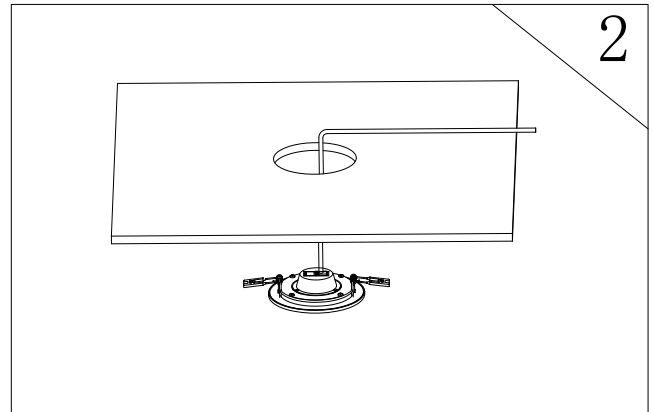
BLX-302A-BFR INSTALLATION INSTRUCTIONS

1. Determine the location for installation and cut ceiling hole in accordance with cut-hole dimensions. Refer to *Hole Diameter* table for appropriate sizes. (Fig. 1)



ROUND	Hole Size	SQUARE	Hole Size
Φ4.25"	4"	4.25"*4.25"	4"*4"

2. Run Ethernet cable from the rack to the fixture location and insert the fixture.(Fig. 2)



*Other special requirements please confirm with our sales.



Liteharbor Lighting Technology Co., Ltd.
 New Industry Area Hecun Danzao Town
 Nanhai Foshan City Guangdong China

TEL: +86-757-8180 8675
 FAX: +86-757-8180 8685
 E-mail: info@liteharbor.com

Website: www.liteharbor.com
 Specifications subject to change w/o notice
 Revision: May. 2022